

# Vector Frame Counter 04

## VFC-04

Vector Frame™ counters compliment the Vector Frame series of exhibit kits, but are also ideal for any stand-alone event or display. Vector Frame counters couple simple extrusion-based frames with push-fit graphics or rigid sintra graphics. Countertops are available in four colored finishes. Custom sizes also available.



## features and benefits:

- Feature push-fit fabric graphics and simple extrusion based frames
- Choose from four countertop finishes
- Easy step-by-step instructions
- Allow for extra storage by removing one fabric panel
- OCH2 portable shipping case
- Lifetime limited warranty against manufacturer defects

## dimensions:

Hardware	Graphic
<p>Assembled unit: 30.63" w x 40.5" h x 18.75" d 778.002mm(w) x 1029mm(h) x 476.25mm(d)</p>	<p>Total visual area: Front (wraps around counter): 73.125" w x 39.25" h 1857mm(w) x 997mm(h)</p> <p>Back: 11.35" w x 39.25" h 288mm(w) x 997mm(h)</p>
<p>Shipping</p> <p>Shipping dimensions - ships in 1 case: OCH2 case: 52" l x 30" w x 15" h 1300mm(l) x 750mm(w) x 400mm(h)</p> <p>Approximate shipping weight (entire kit): 81.5 lbs / 37 kgs</p>	<p>Please be sure to include a 2" bleed around the perimeter</p> <p>Refer to related graphic template for more information</p> <p>Visit: <a href="http://www.exhibitors-handbook.com/graphic-templates">www.exhibitors-handbook.com/graphic-templates</a></p>

## additional information:

Graphic material:  
Dye-sublimated fabric

Countertop color options:



silver



black



mahogany



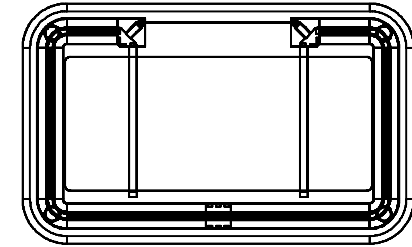
natural

Counter holds max weight  
50 lbs / 22.68 kgs

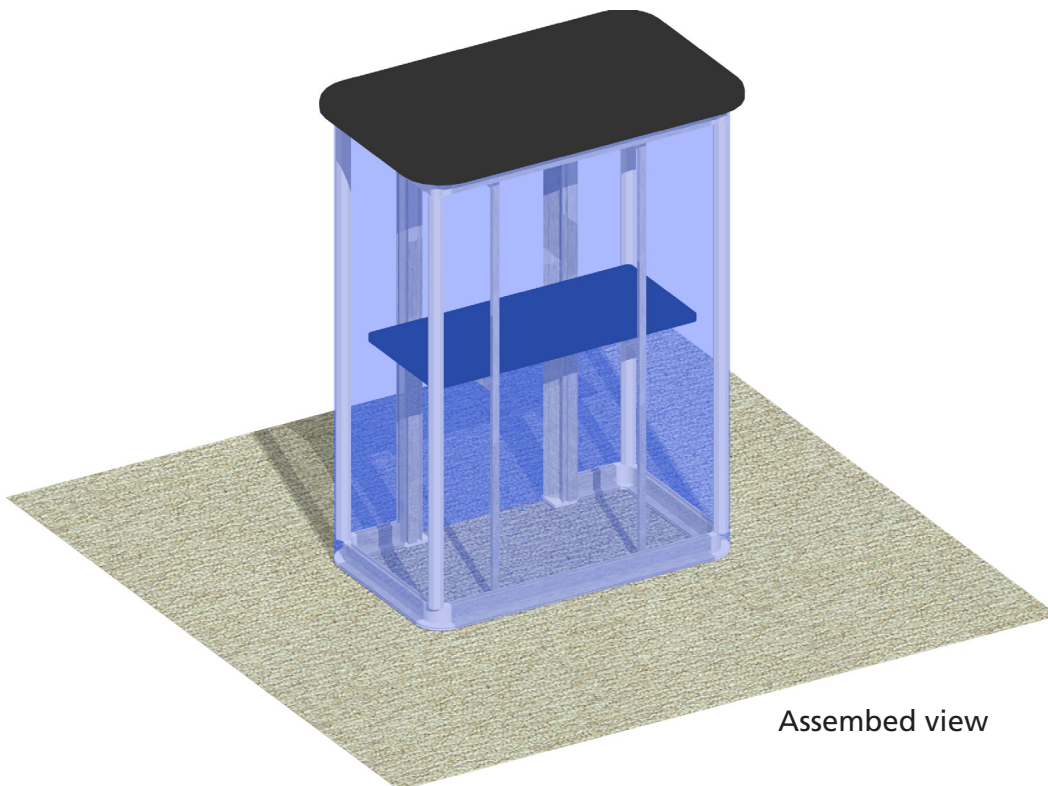
We are continually improving and modifying our product range and reserve the right to vary the specifications without prior notice. All dimensions and weights quoted are approximate and we accept no responsibility for variance. E&OE. See Graphic Templates for graphic bleed specifications.

Parts Included:

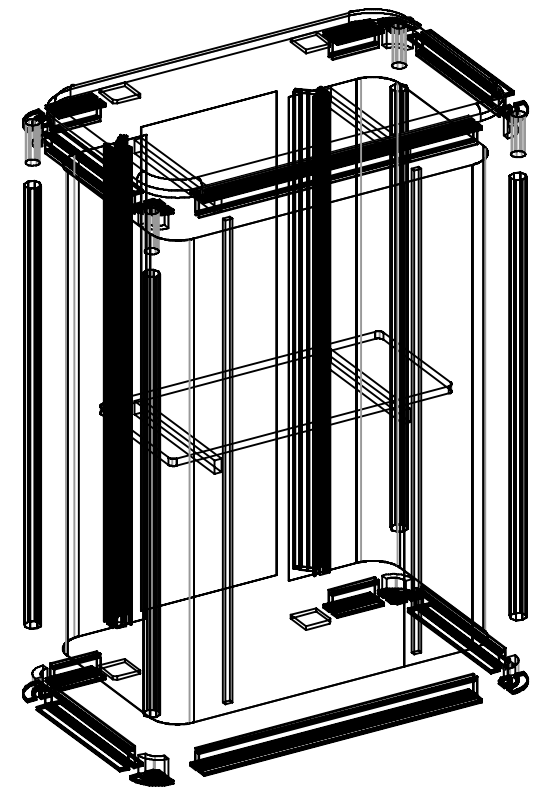
Code	Qty	Description
F40	x2	600MM (23.62") PHFC2 EXTRUSION WITH LOCKS TWO ENDS
F43	x4	300MM (11.81") PHFC2 EXTRUSION WITH LOCKS TWO ENDS
F48	x4	100MM (3.94") PHFC2 EXTRUSION WITH LOCKS TWO ENDS
F24	x2	986MM (38.32") PMFC2-90 EXTRUSION - WITH IB2 LOCK HOLES BOTH SIDES
CB10-R	x8	50MM ROUND PHCF2 CORNER BRACKET
VFC-04-CT	x1	COUNTERTOP FOR VECTOR COUNTER VFC-04
VFC-04-CT-S	x1	INTERNAL SHELF FOR VECTOR COUNTER VFC-04
VFC-03-B-G	x1	291MM (11.48") X 1000MM (39.38")H FABRIC GRAPHIC W/FCE-2 ALL SIDES
VFC-04-A-G	x1	1860MM (73.25")W X 1000MM (39.38")H FABRIC GRAPHIC W/FCE-2 ALL SIDES
TUBE-30-910	x4	910MM (35.82") X 30MM TUBE WITH ES30 HOLES BOTH ENDS
PMFC2-90 CAP	x4	PMFC2 90 DEGREE EXTRUSION CAP
VE-80	x4	288MM (11.34") PH1 EXTRUSION WITH LOCKS BOTH SIDES
VE-68	x1	910MM (35.82") 50MM PM2S SQUARE EXTRUSION WITH LOCKS TWO ENDS
PE-1000	x2	1000MM (39.38") PE EXTRUSION



Overhead view



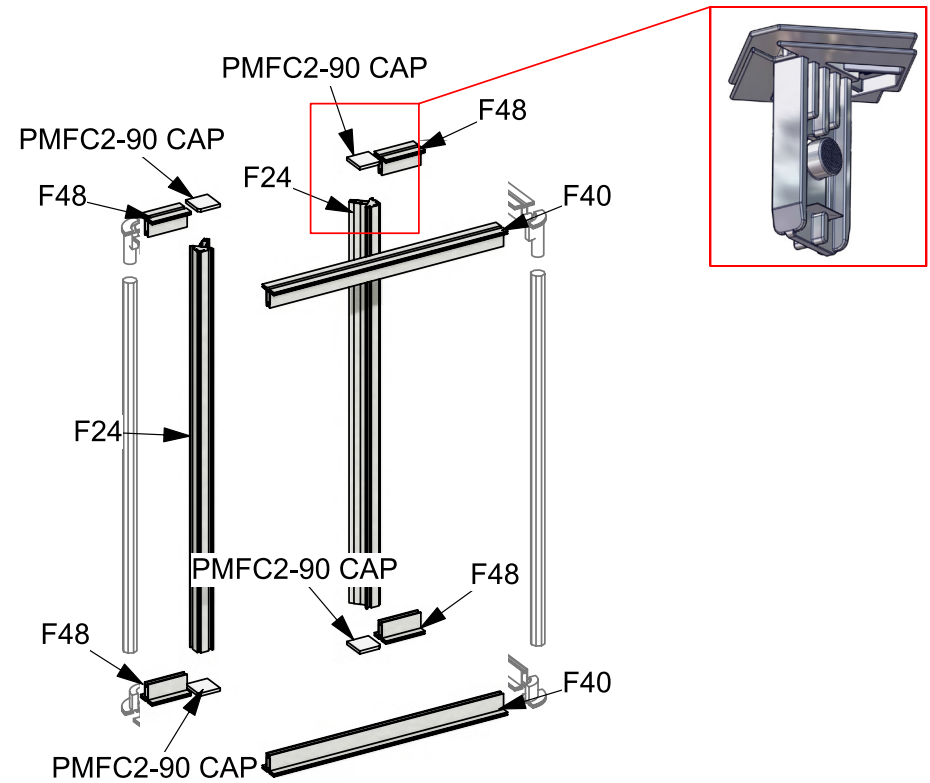
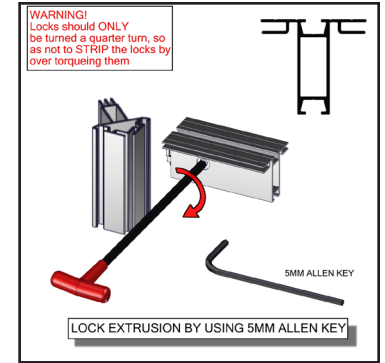
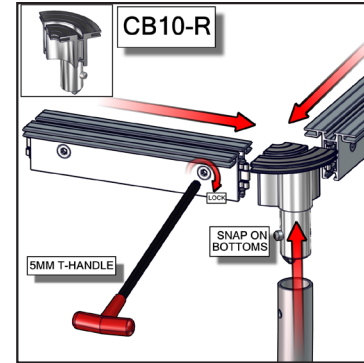
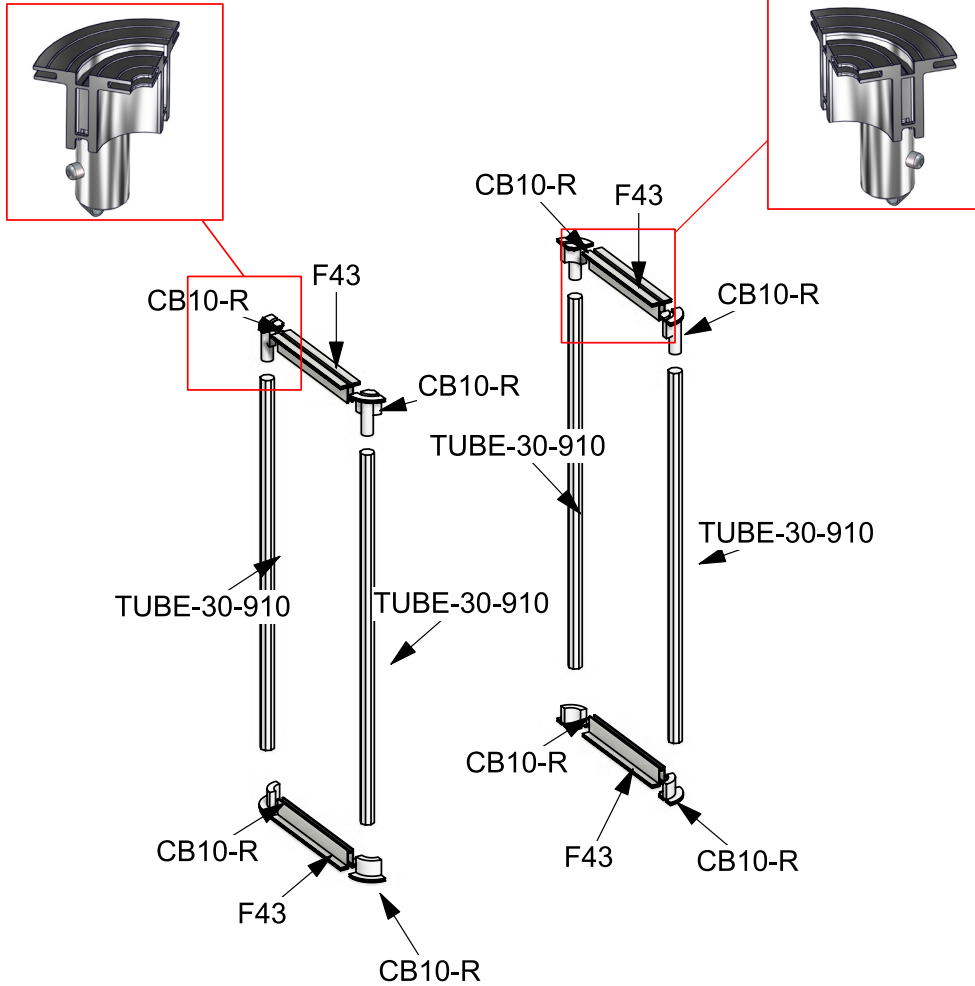
Assembled view



Exploded view

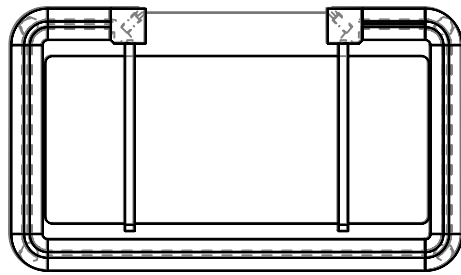
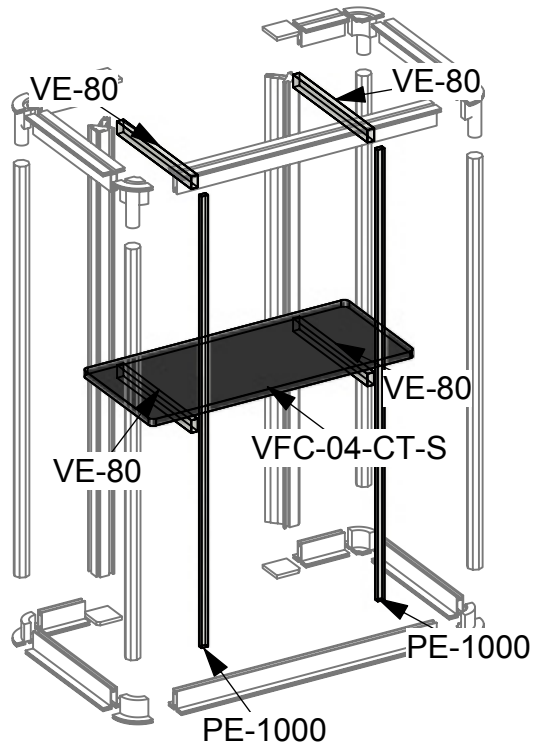
## Step 1: Assemble Counter Frame

Arrange pieces on the floor as shown in the diagram below. Assemble frame sides by securing F43s and TUBE-30-910s to the CB10-Rs. Continue frame assembly by locking F48s, F40s and F24s to the extrusion. When locking be sure to turn each cam a little bit and then go back and tighten to the proper tension. Take care to turn locks only a quarter turn, so as to not strip the locks by over tightening.



## Step 2: Install Internal Shelf

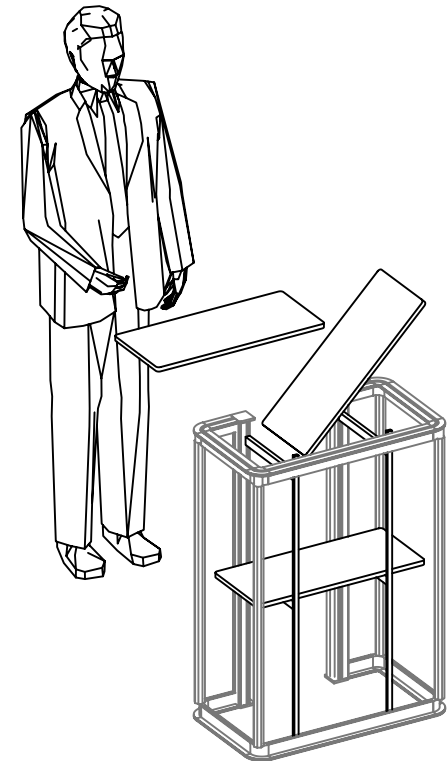
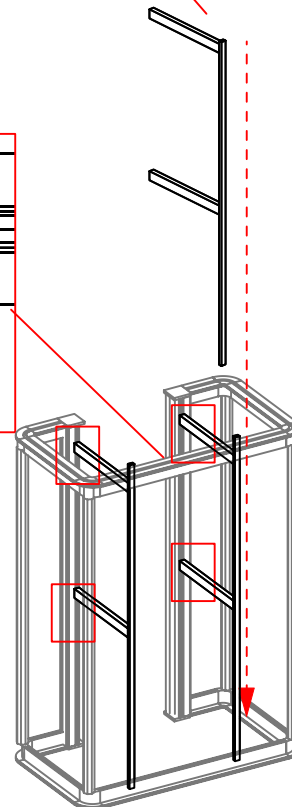
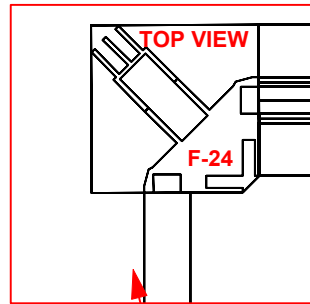
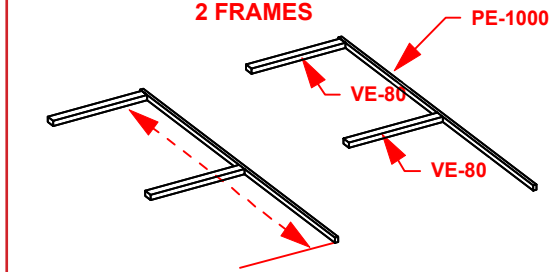
Assemble shelf support frame by securing VE-80 to PE-1000 extrusion. With VE-80 secured to PE-1000, slide PE-1000 into counter frame as shown below. Lock each frame to F-24 using Allen Key. Install internal shelf (VFC-02-CT-S) on top of VE-80s.



TOP VIEW

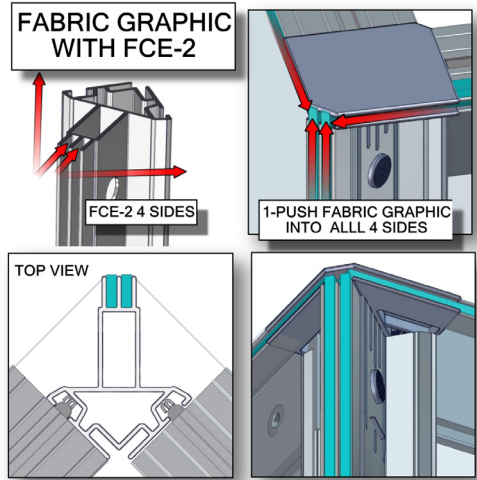
ASSEMBLE SHELF SUPPORT FRAME

2 FRAMES



### Step 3: Apply Graphics & Attach Countertop

Apply push-fit fabric graphic(s) by pressing the FCE-2 edge of graphic into the channel of the extrusion. Start in upper left corner, go across the top and then down the sides to the bottom. Repeat for each side. Assure each graphic is tightly inserted. When taking graphics off, take care to gently pull by attached pull tab. Next, gently place the countertop onto the completed frame. Lock countertop into place using Hex Key.



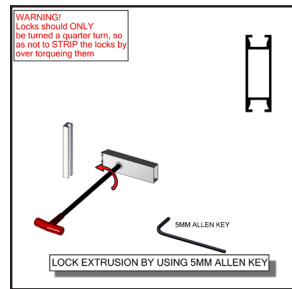
Push fabric with FCE-2 edge folded over into each corner of frame (1-4).



Press into the middle of the outside channel (5-8) and continue around perimeter.



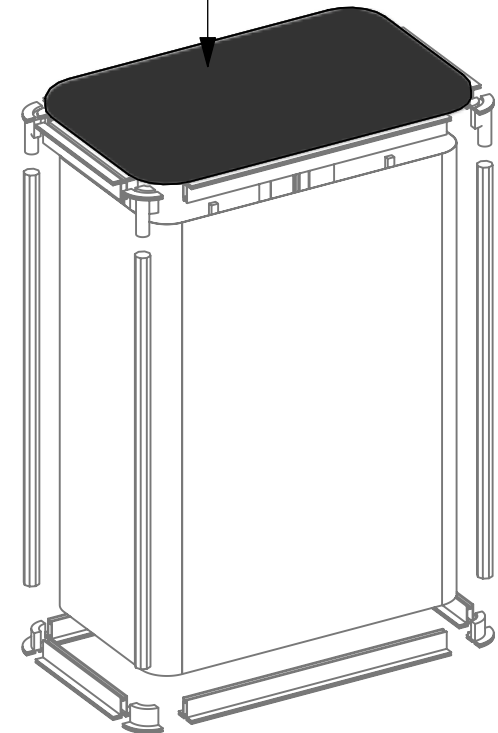
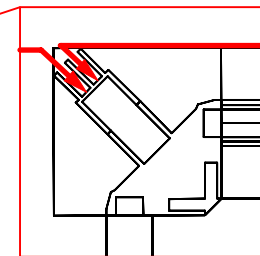
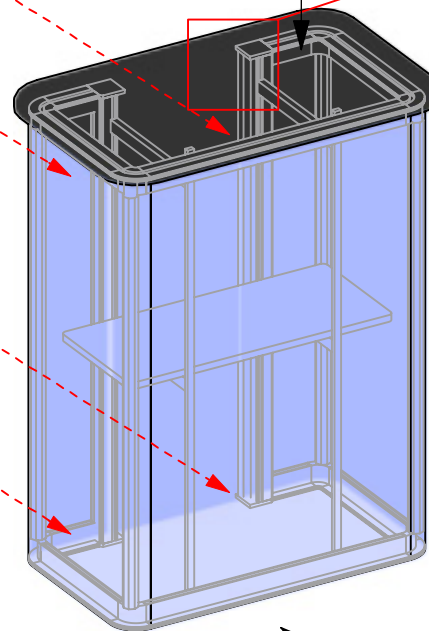
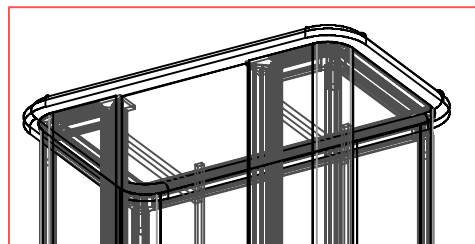
To remove graphic, use the pull tab and gently pull graphic from frame.



VFC-03-B-G

VFC-04-CT

VFC-04-CT



VFC-04-A-G