

Vector Frame Wall Mount Instructions



VF-BRKT-24.5MM

Assembled unit:

1.2" w x 1" h x 1.15" d
31mm(w) x 26mm(h) x 29 mm(d)

Shipping dimensions of box:

7" l x 5" h x 5" d
178mm(l) x 127mm(h) x 127mm(d)

Approximate total shipping weight:

1 lbs / 1 kgs

Additional Info:

- Sold in packs of 4
- Wall mount at least 2 bracket at every 16" on center of wall studs for each frame
- 5/8" distance between screws
- Tools not included
- Brackets will ship in OCS or OCL with Vector Frame if purchased together



VF-BRKT-49.5MM

Assembled unit:

1.2" w x 2" h x 1.8" d
31mm(w) x 51mm(h) x 46mm(d)

Shipping dimensions of box:

7" l x 5" h x 5" d
178mm(l) x 127mm(h) x 127mm(d)

Approximate total shipping weight:

1 lbs / 1 kgs

Additional Info:

- Sold in packs of 2
- Wall mount at least 2 bracket at every 16" on center of wall studs for each frame
- 5/8" distance between screws
- Tools not included
- Brackets will ship in OCS or OCL with Vector Frame if purchased together

Included Hardware:



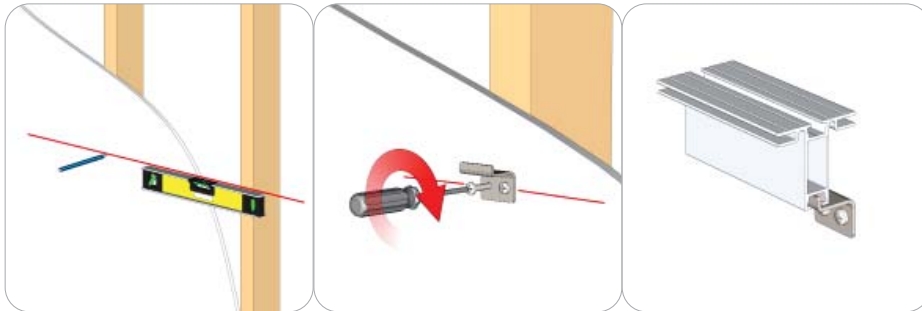
1" Screw
#2 Phillips Pan Head



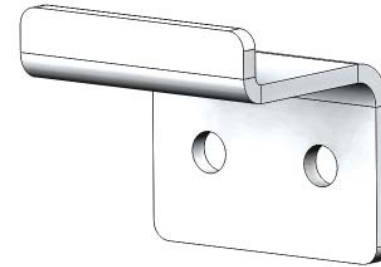
1" Plastic Anchor

Connection Methods

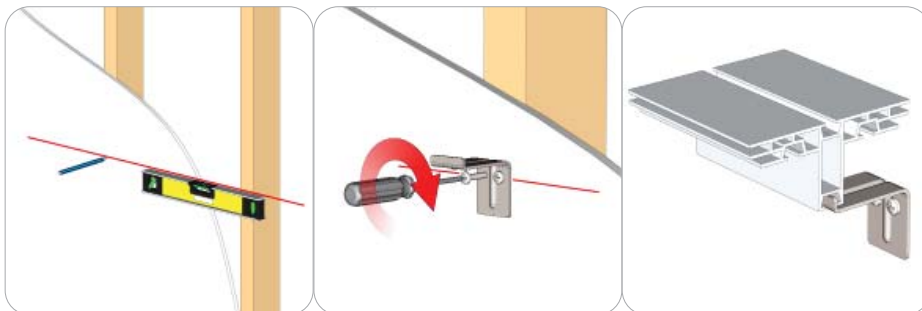
Connection Method for: VF-BRKT-24.5MM



First, find your wall studs and draw a straight horizontal line to the desired height of your frame. Second, using the provided set screws, secure the brackets through the wall making sure to pierce the studs. If no stud is available, simply use the provided plastic anchors. Third, your 2" PHFC2 frame is ready to hang by simply laying the bottom channel onto the bracket.



Connection Method for: VF-BRKT-49.5MM



First, find your wall studs and draw a straight horizontal line to the desired height of your frame. Second, using the provided set screws, secure the brackets through the wall making sure to pierce the studs. If no stud is available, simply use the provided plastic anchors. Third, your 4" PHFC4 frame is ready to hang by simply laying the bottom channel onto the bracket.

