

Vector Frame Kit 23

VF-K-23

The innovative, contemporary and clean appearance of the Vector Frame™ line of exhibit kits will captivate your audience. Kits feature push-fit fabric graphics, easy-to-assemble extrusion frames, accent lighting, tables, counters, literature accessories, monitor mounts and interior LED edge lighting where indicated.



features and benefits:

- 50mm silver extrusion frame
- Single-sided SEG dye-sublimated push-fit fabric graphics
- Counters available in four thermoform finishes, shown below
- Kit includes frame, three fabric graphic panels, one fabric graphic counter, two stand-off tables, two 120 watt lights, and three wheeled molded cases
- Lifetime hardware warranty against manufacturer defects

dimensions:

Hardware

Assembled Unit:
218.5" w x 102" h x 37" d
5550mm(w) x 2591mm(h) x 940mm(d)

Counter 07:
46" w x 40.5" h x 22.625" d
1168.4mm(w) x 1029mm(h) x 575mm(d)

Shipping

Shipping Dimensions - ships in 3 cases:
3 OCH2 cases:
52" l x 30" w x 15" h
1320mm(l) x 760mm(w) x 380mm(h)

Approximate shipping weight (entire kit):
272.16 lbs / 123.45 kgs

Graphic

Total visual area:
Panels A & C: 63.25" w x 94.5" h
1606.5mm(w) x 2400mm(h)

Panel B: 101.5" w x 94.5" h
2578mm(w) x 2400mm(h)

Counter 07:
Front (wraps around):
46.24" w x 39.24" h
1174mm(w) x 997mm(h)

Back: 15.625" w x 39.24" h
397mm(w) x 997mm(h)

Please be sure to include a 2" bleed around the perimeter.

Refer to related graphic templates for more information

additional information:

Graphic material:
Dye-sublimated fabric

Tabletop color options:



silver



black



mahogany



natural

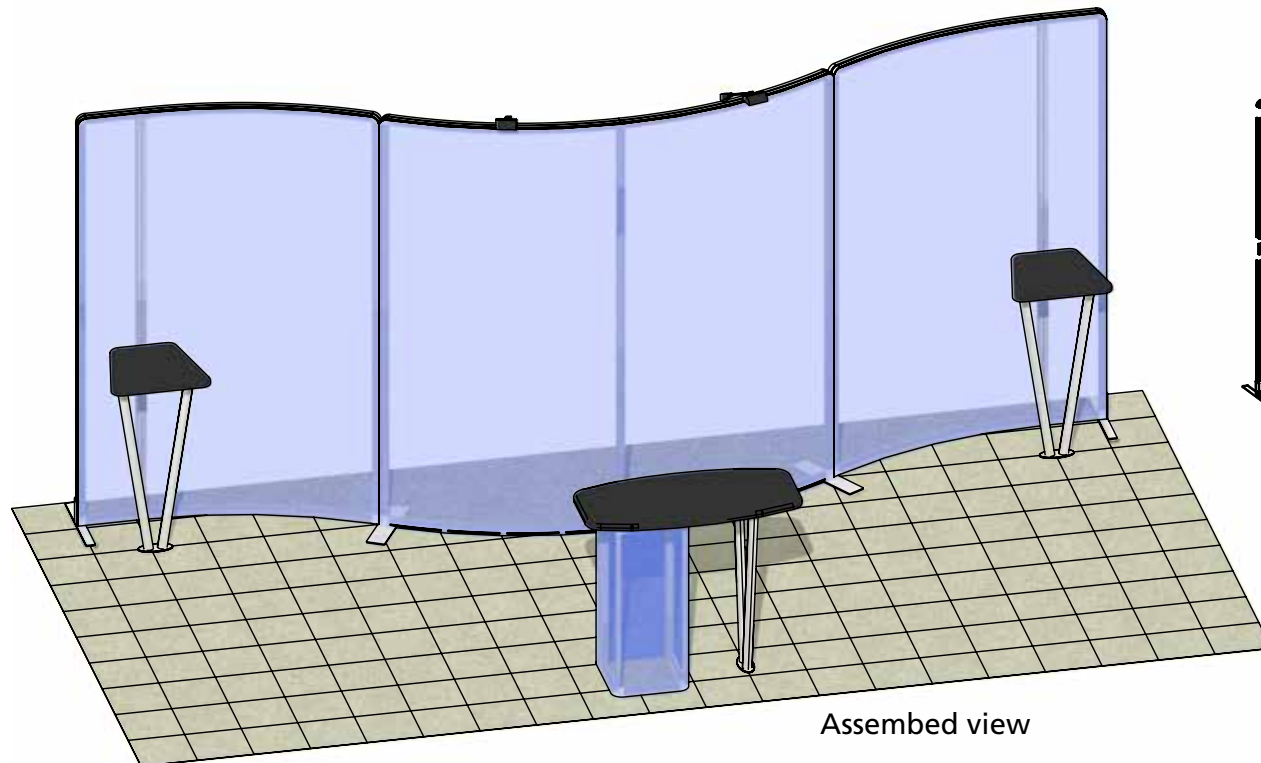
Lights included:
Lumina 200 120 watt floodlight, curved arm, black finish, 19.5" from end to end

Counter holds max weight = 20 lbs / 9 kgs

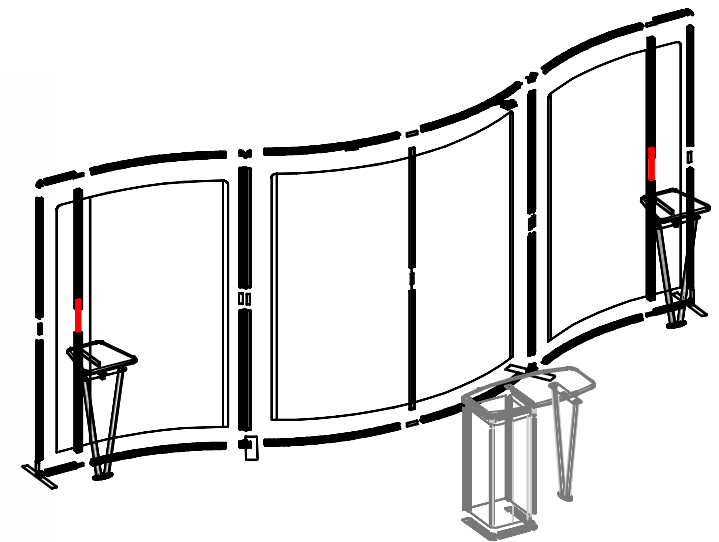
We are continually improving and modifying our product range and reserve the right to vary the specifications without prior notice. All dimensions and weights quoted are approximate and we accept no responsibility for variance. E&OE. See Graphic Templates for graphic bleed specifications.

Parts Included:

Code	Qty	Description
VF-K-23-A-G	x1	1606MM (63.25")W X 2400MM (94.5")H FABRIC GRAPHIC W/FCE-2 ALL SIDES
VF-K-23-B-G	x1	2578MM (101.5")W X 2400MM (94.5")H FABRIC GRAPHIC W/FCE-2 ALL SIDES
VF-K-23-C-G	x1	1606MM (63.25")W X 2400MM (94.5")H FABRIC GRAPHIC W/FCE-2 ALL SIDES
F33	x4	1155MM (45.47") PHFC2 EXTRUSION WITH IB2 HOLE ONE SIDE - WITH LOCK ONE END WITH BIKE LOCKS
F49	x8	1155MM (45.47") PHFC2 EXTRUSION WITH IB2 HOLE ONE SIDE - WITH LOCK ONE END
F49	x8	8R PHFC2 EXTRUSION WITH LOCK ONE SIDE - WITH IB2 LOCK HOLES ONE SIDE
F65	x4	300MM (11.81") PHFC2 EXTRUSION WITH LOCKS TWO ENDS
SW-FOOT	x2	VECTOR FRAME SUPPORT FOOT
IB2	x13	PH INLINE CONNECTOR
CB9-S	x6	50MM SQUARE PHCF2 CORNER BRACKET
CB9-R	x6	50MM ROUND PHCF2 CORNER BRACKET
LUM-200-ORL-B LN-3P-LT-FXT	x2	BLACK 200W HALOGEN LIGHT FIXTURE ETL APPROVED
LN114-S2-TT	x2	SET OF TWO LINEAR TABLETOP BASES WITH HARDWARE
VE-85	x2	1155MM (45.47") PH EXTRUSION WITH IB2 LOCK HOLES ONE SIDE
VE-17	x2	300MM (11.8125") PH WITH SLIDE LOCK AT BOTH ENDS
VE-65	x4	1155mm (45.47") 50MM PM2S SQUARE EXTRUSION WITH STOP AT 155MM WITH LOCK ONE END
VE-45	x2	PH4SC-300MM (11.81") EXTRUSION WITH TENSION GLIDES
V-LG-02	x2	1005MM X 450MM (39.5625" X 17.72") V LEG 50MM CHANNEL TUBE
V-WS-CT-01	x2	500MM X 538MM (9.6875" X 21.1875") TAPERED WORKSTATION TOP



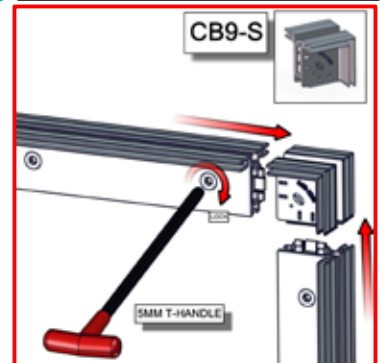
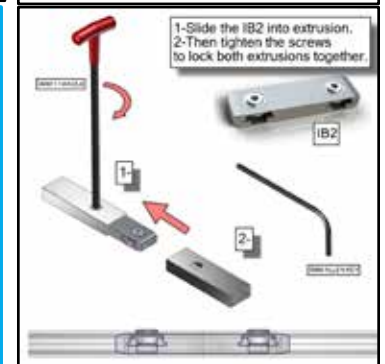
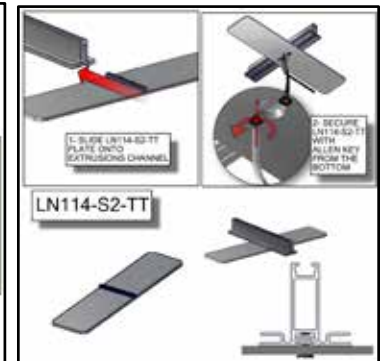
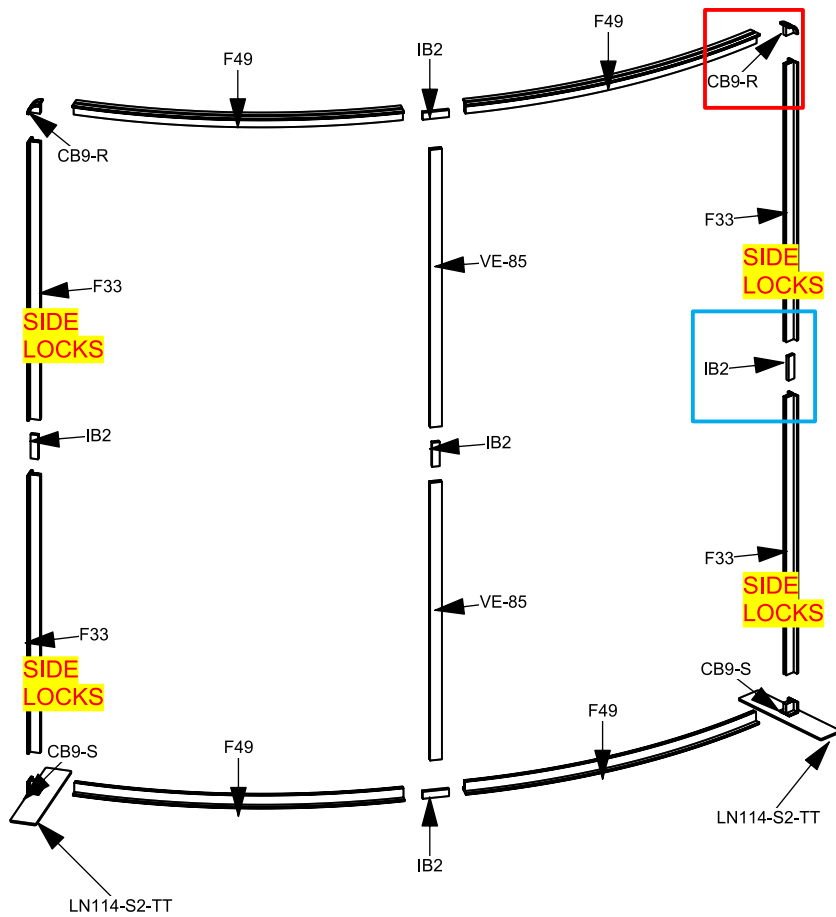
Assembled view



Exploded view

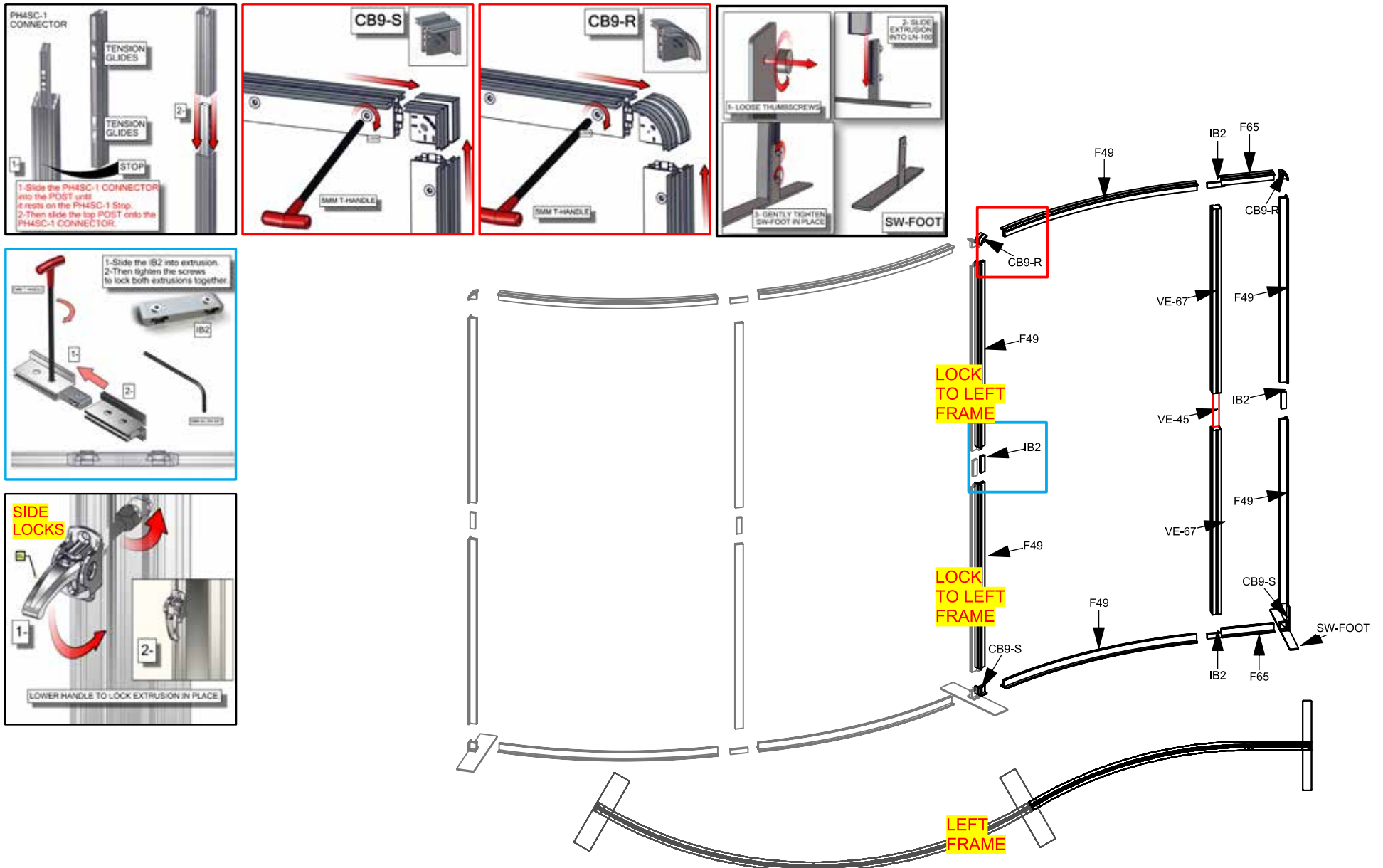
Step 1: Assemble Center Frame

Arrange pieces on the floor as shown in the diagram below. Assemble frame by securing CB9-R's on the top and CB9-S's on the bottom to the F49s and F33s. When locking be sure to turn each cam a little bit and then go back and tighten to the proper tension. Take care to turn locks only half a turn. Slide the IB2 into the extrusion to connect sides. Tighten to the proper tension to lock extrusions together. To adhere foot to frame, loosen thumbscrews from foot. Slide LN-114-S2-TT plate onto extrusion channel. Secure LN114-S2-TT with Allen key from the bottom to the proper tension.



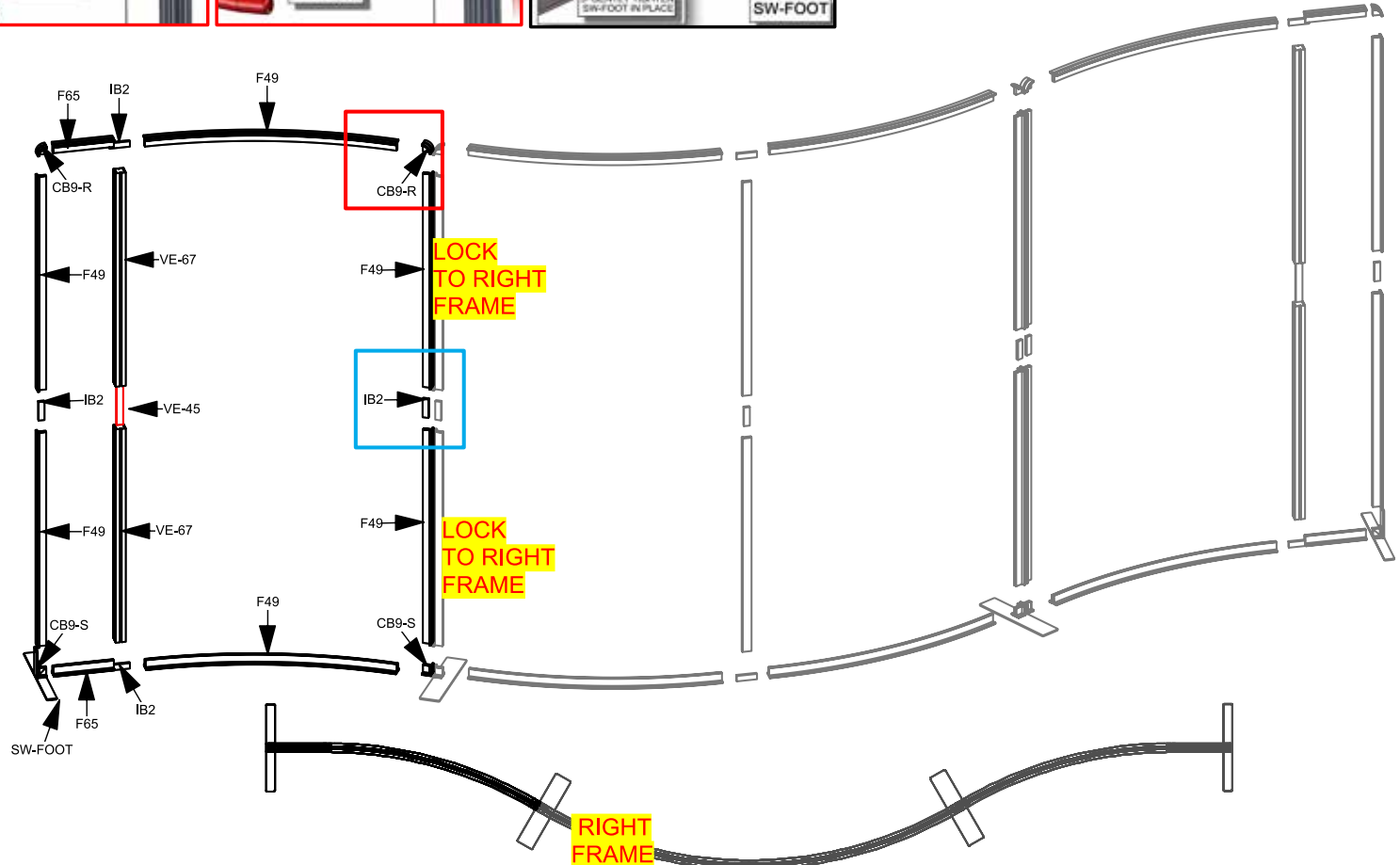
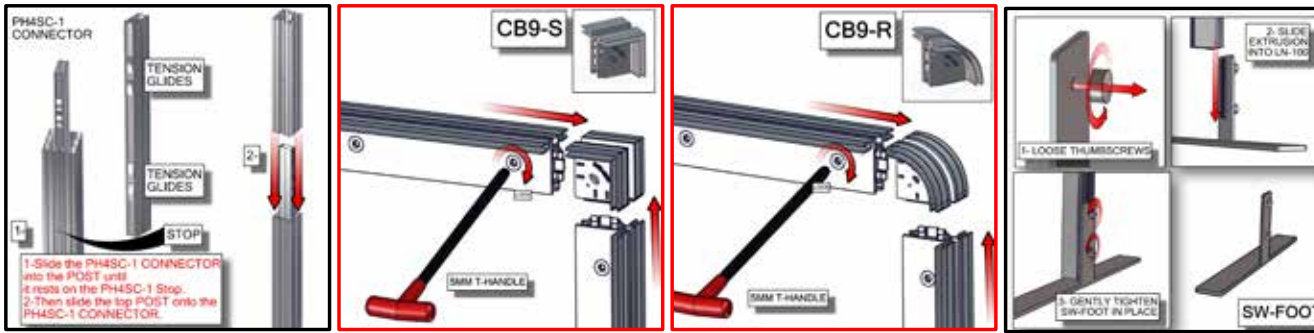
Step 2: Assemble Right Frame

Arrange pieces on the floor as shown in the diagram below. Assemble frame by securing CB9-R's on the top and CB9-S's on the bottom to the F49, F34s. Lock VE-67 and VE-45 to extrusion. When locking be sure to turn each cam a little bit and then go back and tighten to the proper tension. Take care to turn locks only half a turn. Slide the IB2 into the extrusion to connect sides. Tighten to the proper tension to lock extrusions together. To adhere foot to frame, loosen thumbscrews from foot. Slide extrusion into LN-100 groove. Tighten to the proper tension to secure supporting feet.



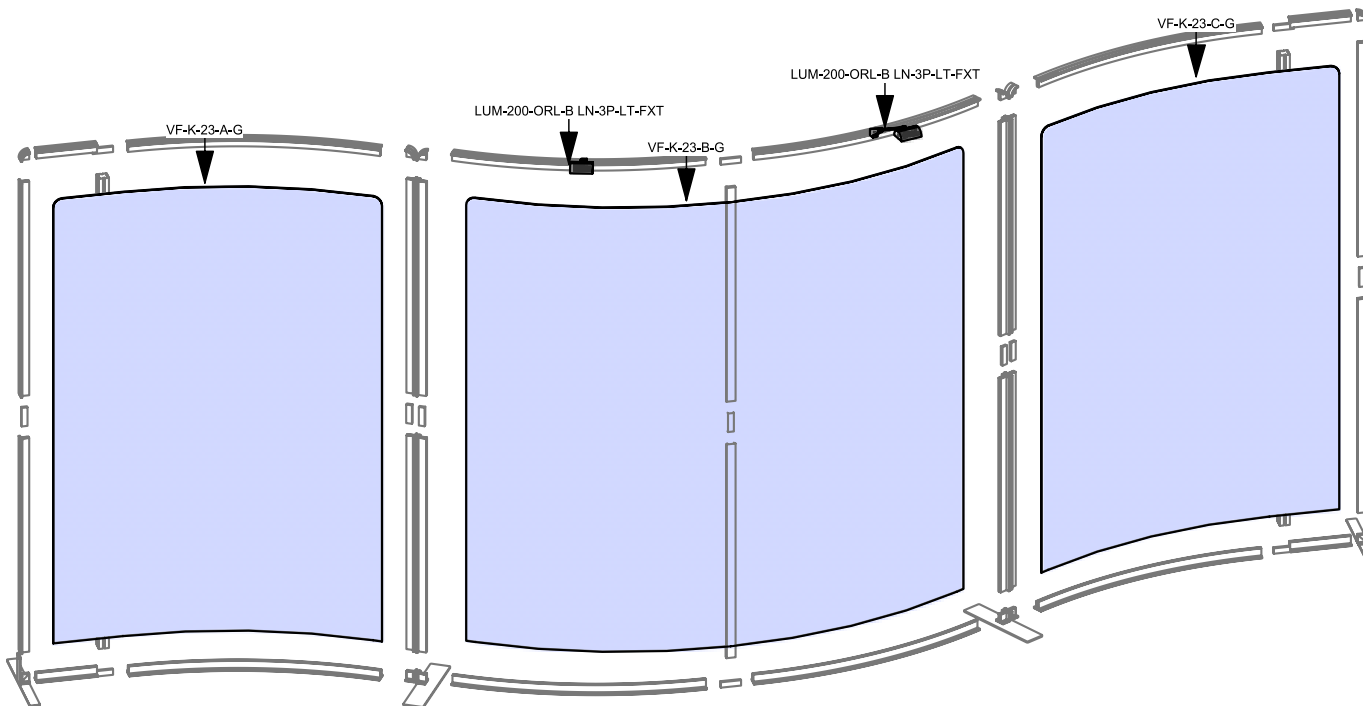
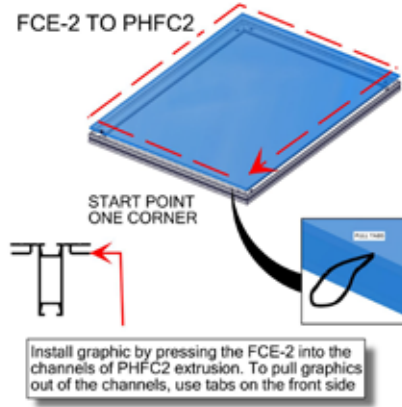
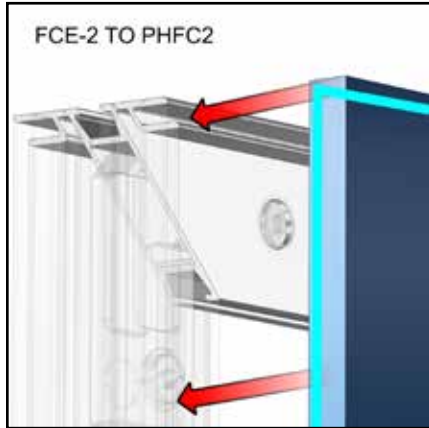
Step 3: Assemble Left Frame

Arrange pieces on the floor as shown in the diagram below. Assemble frame by securing CB9-R's on the top and CB9-S's on the bottom to the F49s and F65s. Lock VE-67 and VE-45 to extrusion. When locking be sure to turn each cam a little bit and then go back and tighten to the proper tension. Take care to turn locks only half a turn. Slide the IB2 into the extrusion to connect sides. Tighten to the proper tension to lock extrusions together. To adhere foot to frame, loosen thumbscrews from foot. Slide extrusion into LN-100 groove. Tighten to the proper tension to secure.



Step 4: Apply Graphics & Install Lights

Install graphic(s) by pressing the FCE-2 edge of graphic into the channel of the extrusion. Start in upper left corner, go across the top and then down the sides to the bottom. Assure each graphic is tightly inserted. When taking graphics off, take care to gently pull by attached pull tab. Slide light clip onto each light. Then slide light into the extrusion channel at an angle and gently lower down and repeat for each light.



Step 5: Attach Counter Stand-offs

Place leg into place, connect VE-17 and lock extrusion. Insert thumb connectors into the bottom of the countertop and make 1/4 turn clockwise to tighten in place. Repeat for second counter.

