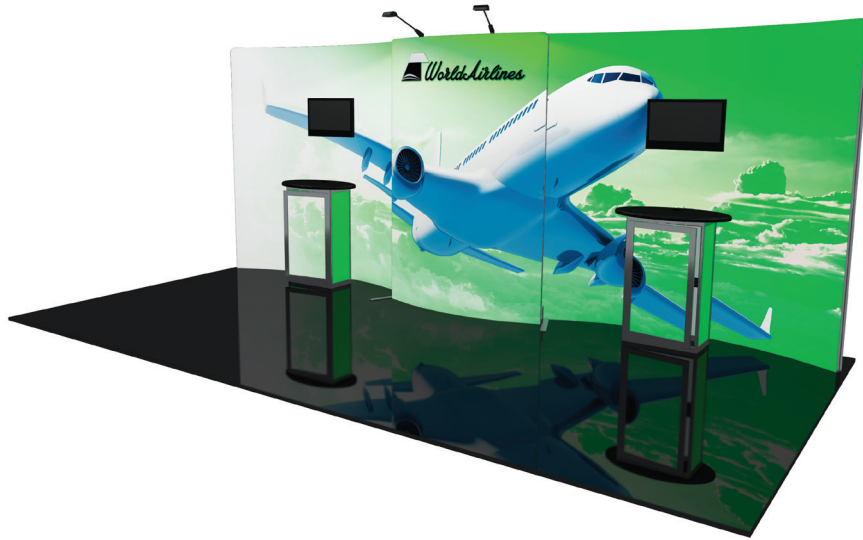


Vector Frame Kit 21

VF-K-21

The innovative, contemporary and clean appearance of the Vector Frame™ line of exhibit kits will captivate your audience. Kits feature push-fit fabric graphics, easy-to-assemble extrusion frames, accent lighting, tables, counters, literature accessories, monitor mounts and interior LED edge lighting where indicated.



features and benefits:

- 50mm silver extrusion frame
- Single-sided SEG dye-sublimated push-fit fabric graphics
- Countertops available in four thermoform finishes, shown below
- Monitor Mount (MM-MB) can hold 26"-40" monitor/max weight 25 lbs
- Kit includes frame, three fabric graphic panels, two counters, two monitor mounts, two 120 watt lights, and three wheeled molded cases
- Lifetime hardware warranty against manufacturer defects

dimensions:

Hardware

Assembled Unit:
228.25" w x 102" h x 25" d
5797.55mm(w) x 2590.8mm(h) x 635mm(d)

Shipping

Shipping Dimensions - ships in 3 cases:
Two OCH2 cases:
52" l x 30" w x 15" h
1320.8mm(l) x 762mm(w) x 381mm(h)

One OCE case:
66" l x 18" w x 18" h
1676.4mm(l) x 457.2mm(w) x 457.2mm(h)

Approximate shipping weight (entire kit):
269 lbs / 122 kgs

Graphic

Total visual area:
Panels A & C: 99.175" w x 94.375" h
2519mm(w) x 2397mm(h)

Panel B: 62.625" w x 94.375" h
1591mm(w) x 2397mm(h)

Counter (attached to backwall):
Side panels (each):
11" w x 35.8" h
279.4mm(w) x 909mm(h)

Door panel:
17.53" w x 32.1875" h
445mm(w) x 817.5mm(h)

Please be sure to include a 2" bleed around the perimeter.

Refer to related graphic templates for more information

additional information:

Graphic material:
Dye-sublimated fabric, rigid sintra infill panels

Tabletop color options:



silver



black



mahogany



natural

Lights included:
Lumina 200 120 watt floodlight, curved arm, black finish, 19.5" from end to end

Monitors not included

Monitor Mount (MM-MB) can hold 26"-40"; Max weight = 25 lbs / 11.3 kgs

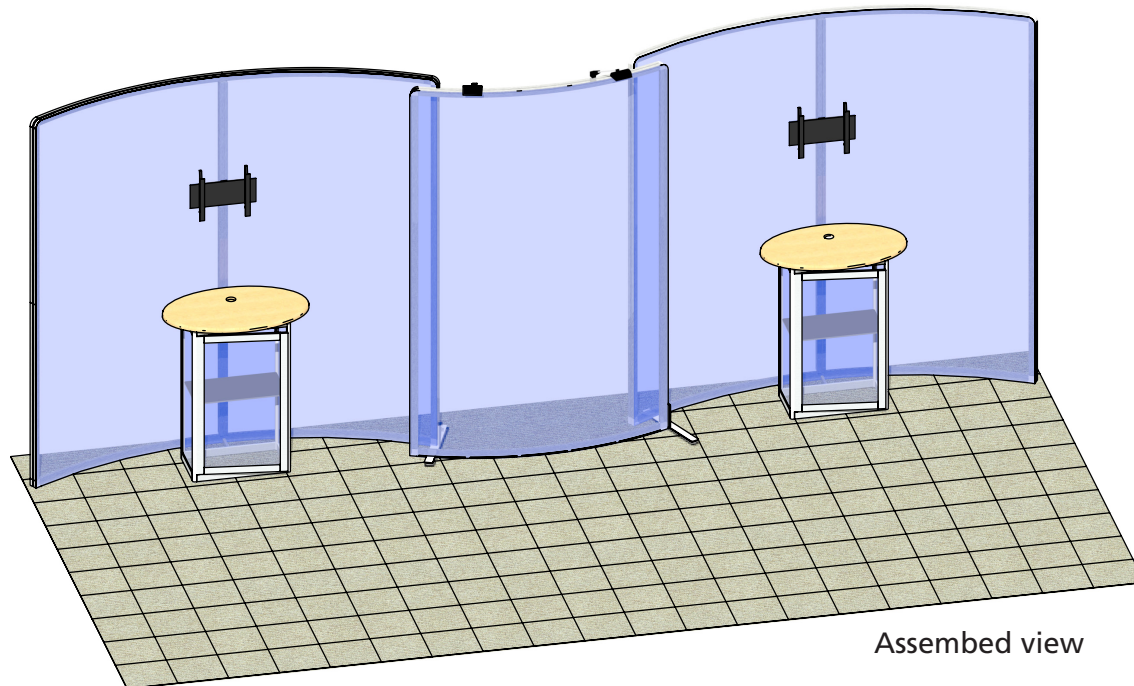
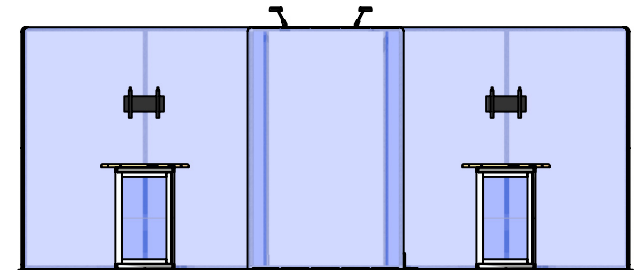
Counter (each) max weight = 25 lbs / 11.34 kgs

We are continually improving and modifying our product range and reserve the right to vary the specifications without prior notice. All dimensions and weights quoted are approximate and we accept no responsibility for variance. E&OE. See Graphic Templates for graphic bleed specifications.

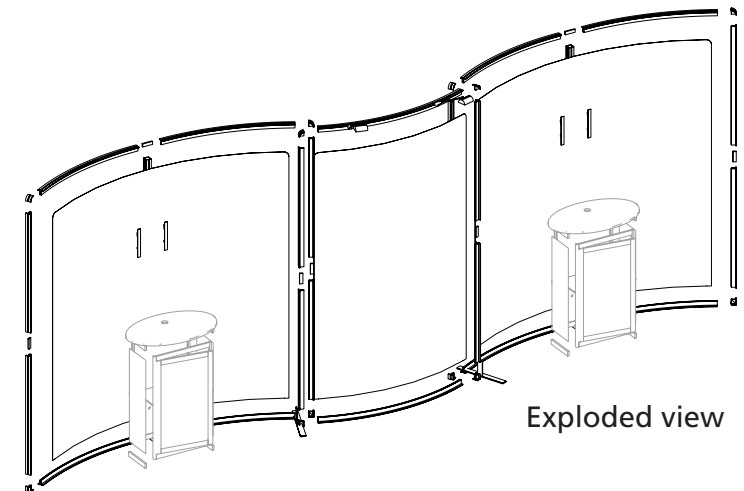
Parts Included:

Code	Qty	Description
VF-K-21-B-G	x1	1593MM (62.75")W X 2400MM (94.5")H FABRIC GRAPHIC W/FCE-2 ALL SIDES
VF-K-21-C-G	x1	2522MM (99.3")W X 2400MM (94.5")H FABRIC GRAPHIC W/FCE-2 ALL SIDES
VF-K-21-A-G	x1	2522MM (99.3")W X 2400MM (94.5")H FABRIC GRAPHIC W/FCE-2 ALL SIDES
F56	x2	6R X 45 DEGREE PHFC2 EXTRUSION - WITH IB2 LOCK HOLES ONE SIDE - CAM LOCK ONE SIDE
F49	x8	8R X 30 DEGREE PHFC2 EXTRUSION - WITH IB2 LOCK HOLES ONE WIDE - CAM LOCK ONE SIDE
F34	x12	1155MM (45.47") PHFC2 EXTRUSION - WITH IB2 HOLE ONE SIDE - WITH LOCK ONE END
SW-FOOT	x2	VECTOR FRAME SUPPORT FOOT
IB2	x10	PH INLINE CONNECTOR
CB9-R	x6	50MM ROUND PHCF2 CORNER BRACKET
CB9-S	x6	50MM SQUARE PHCF2 CORNER BRACKET
LUM-200-ORL-B LN-3P-LT-FXT	x2	BLACK 200W HALOGEN LIGHT FIXTURE ETL APPROVED
VE-67	x4	1155MM (45.47") 50MM PM2S SQUARE EXTRUSION WITH STOP AT 155MM WITH LOCK ONE END
VE-45	x2	PH4SC-300MM (11.81") EXTRUSION WITH TENSION GLIDES
VE-89	x2	150MM (5.91") PH1 EXTRUSION WITH LOCKS TWO ENDS
VE-97	x2	150MM (5.91") PH2 EXTRUSION WITH STAGGERED LOCKS TWO ENDS
MM-MG	x2	MEDIUM MONITOR BRACKET FOR MONITORS 15"-40"
VC-01	x8	280MM (11") PH WITH SLIDE LOCK AT BOTH ENDS
VC-04	x4	922MM X 292MM (36.31" X 11.5") SIDE RIGID SINTRA GRAPHICS
VC-02	x2	581MM X 1000MM (22.875" X 39.38") FRONT FRAME W/GFX INFILL
VC-03	x2	581MM X 1000MM (22.875" X 39.38") CABINET DOOR W/GFX INFILL
INT SHELF	x2	292MM X 553 (11.5" X 39.38") INTERNAL SHELF FOR V-CU-CAB-01
V-SS1	x8	SHELF SUPPORT
V-CW-CT-02	x2	870MM X 538MM (34.25" X 21.18") HYBRID OVAL TOP

VF-K-21



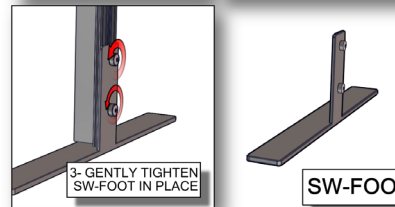
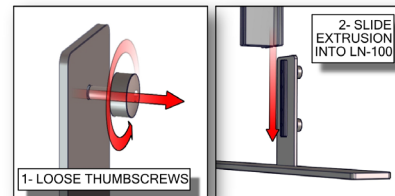
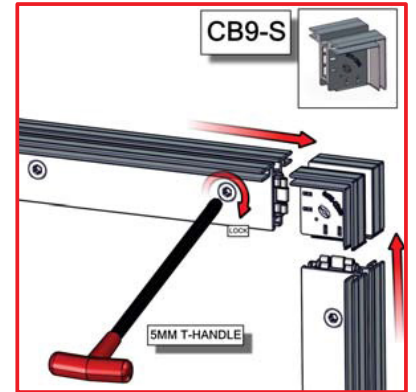
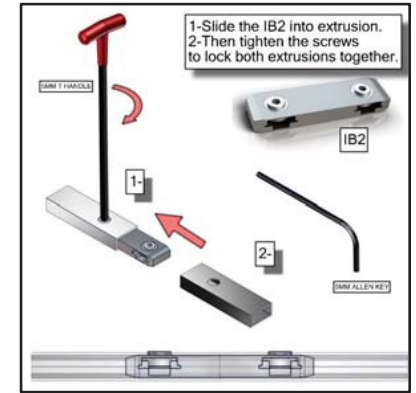
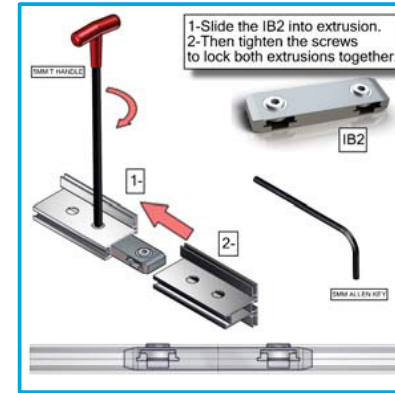
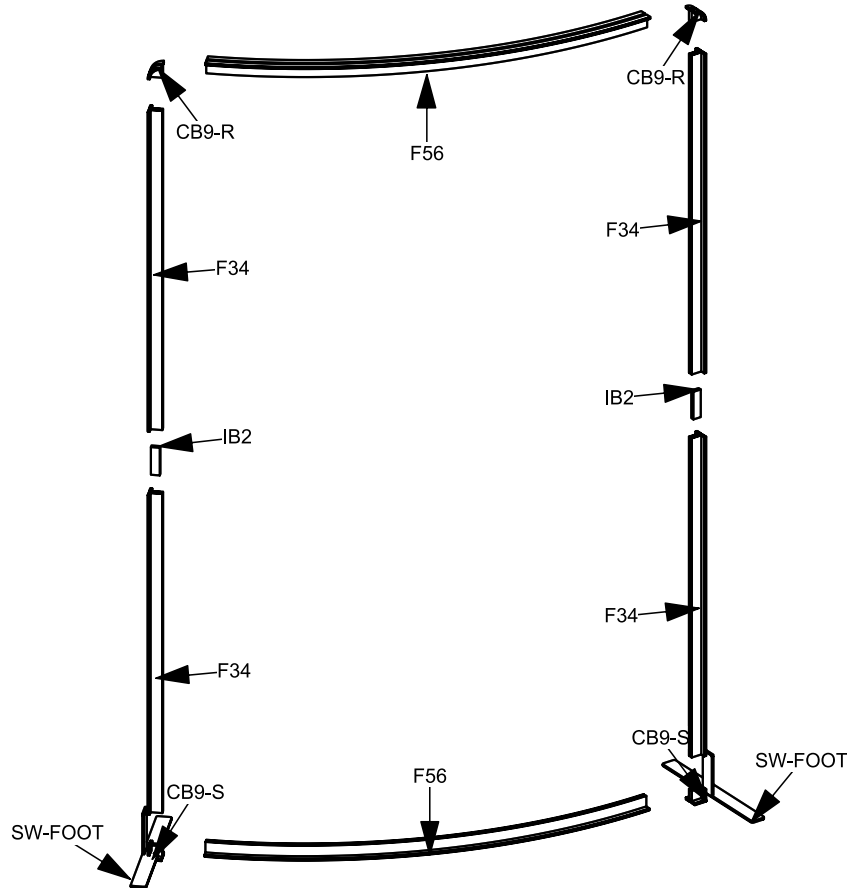
Assembled view



Exploded view

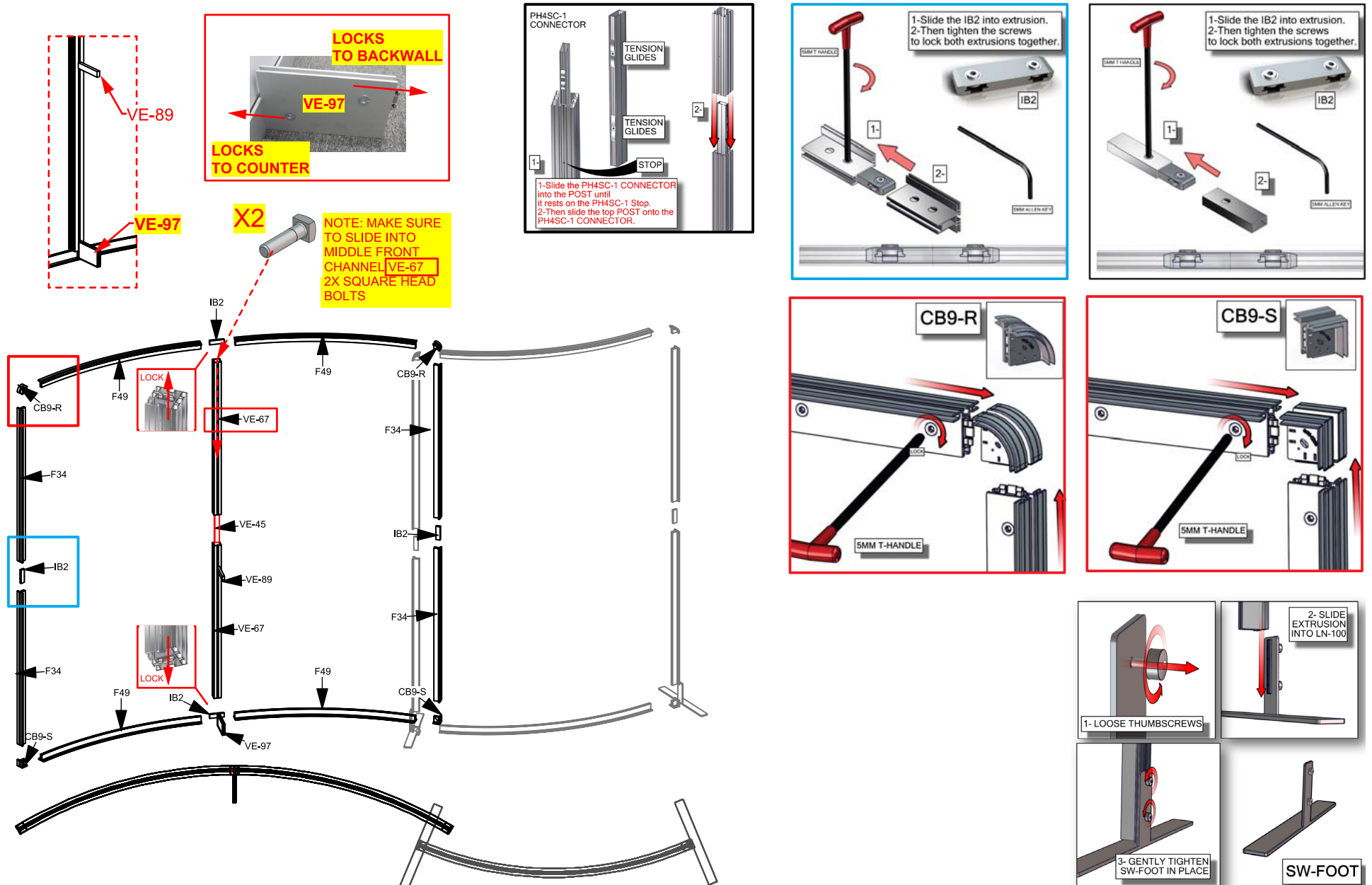
Step 1: Assemble Center Frame

Arrange pieces on the floor as shown in the diagram below. Assemble frame by securing CB9-R's on the top and CB9-S's on the bottom to the F56 and F34s. When locking be sure to turn each cam a little bit and then go back and tighten to the proper tension. Take care to turn locks only half a turn. Slide the IB2 into the extrusion to connect sides. Tighten to the proper tension to lock extrusions together. To adhere foot to frame, loosen thumbscrews from foot. Slide extrusion into LN-100 groove. Tighten to the proper tension to secure supporting feet.



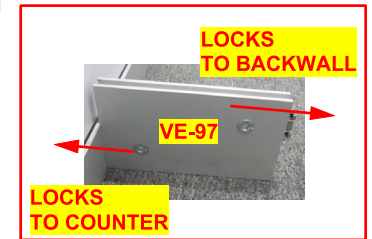
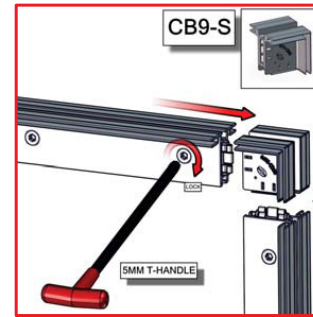
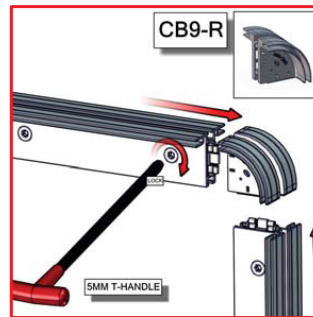
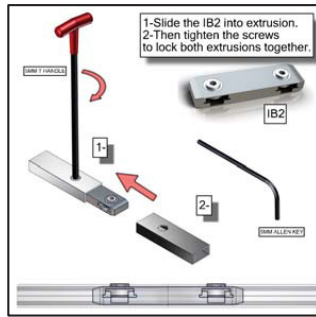
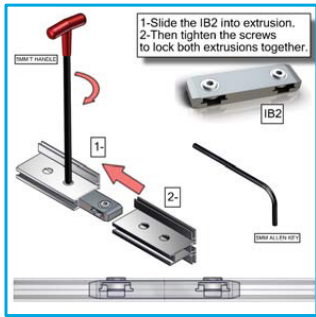
Step 2: Assemble Left Frame

Arrange pieces on the floor as shown in the diagram below. Assemble frame by securing CB9-R's on the top and CB9-S's on the bottom to the F49, F34s. Connect VE-67, VE-45 and VE-89 with lock connector. Make sure to slide VE-67 square head bolts where indicated so monitor mount can later be attached. When locking be sure to turn each cam a little bit and then go back and tighten to the proper tension. Take care to turn locks only half a turn. Slide the IB2 into the extrusion to connect sides. Tighten to the proper tension to lock extrusions together.

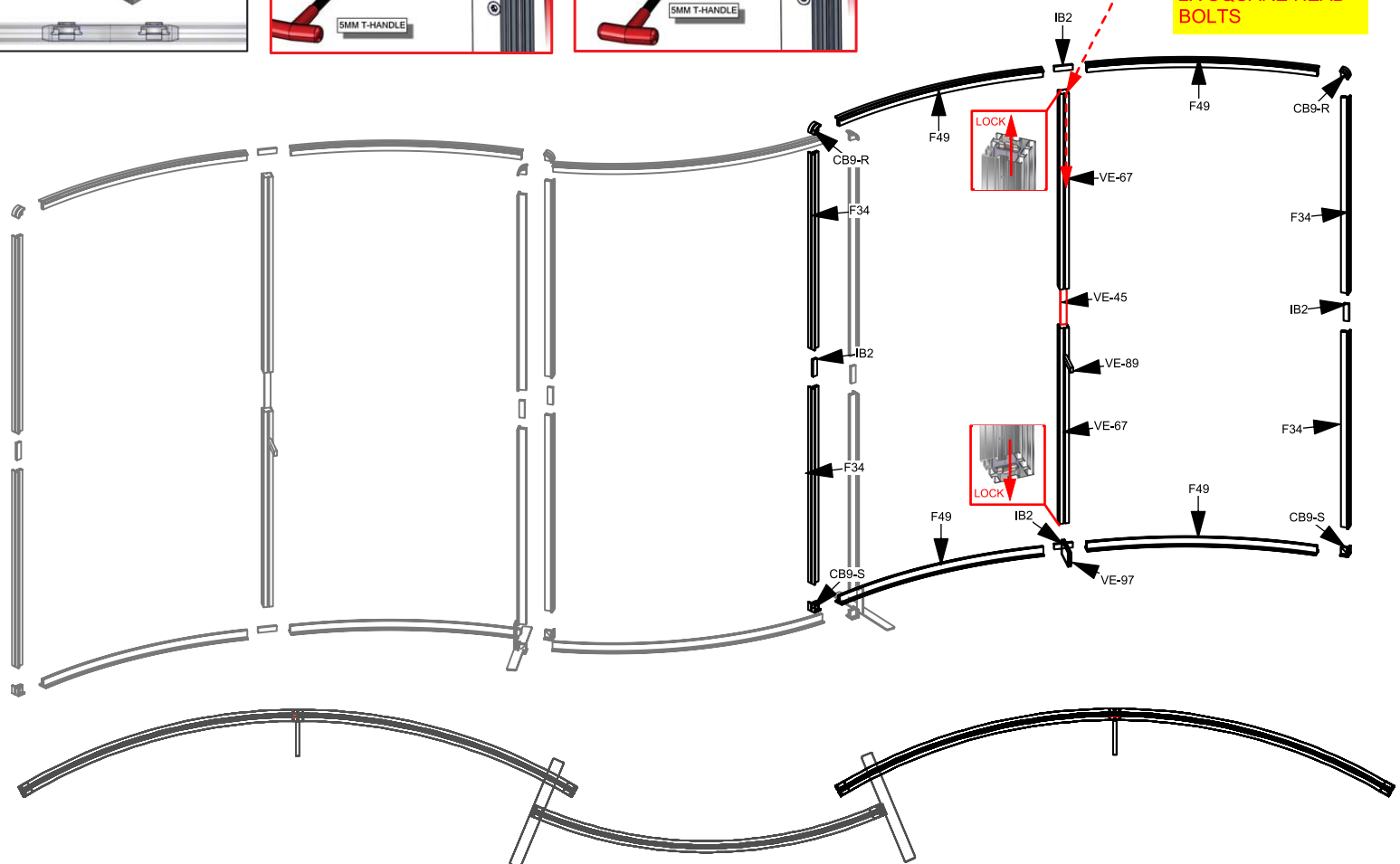
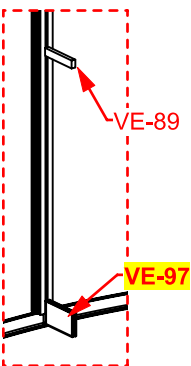
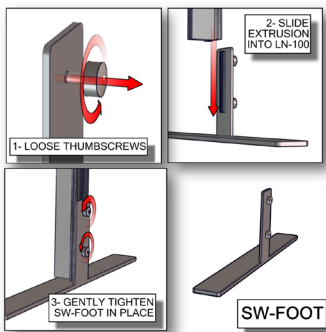


Step 3: Assemble Right Frame

Arrange pieces on the floor as shown in the diagram below. Assemble frame by securing CB9-R's on the top and CB9-S's on the bottom to the F49, F34s. Connect VE-67, VE-45, VE-89 and VE-97 with lock connector. Prior to attaching VE-67 to F49, make sure to slide VE-67 square head bolts where indicated so monitor mount can later be attached. When locking be sure to turn each cam a little bit and then go back and tighten to the proper tension. Take care to turn locks only half a turn. Slide the IB2 into the extrusion to connect sides. Tighten to the proper tension to lock extrusions together.



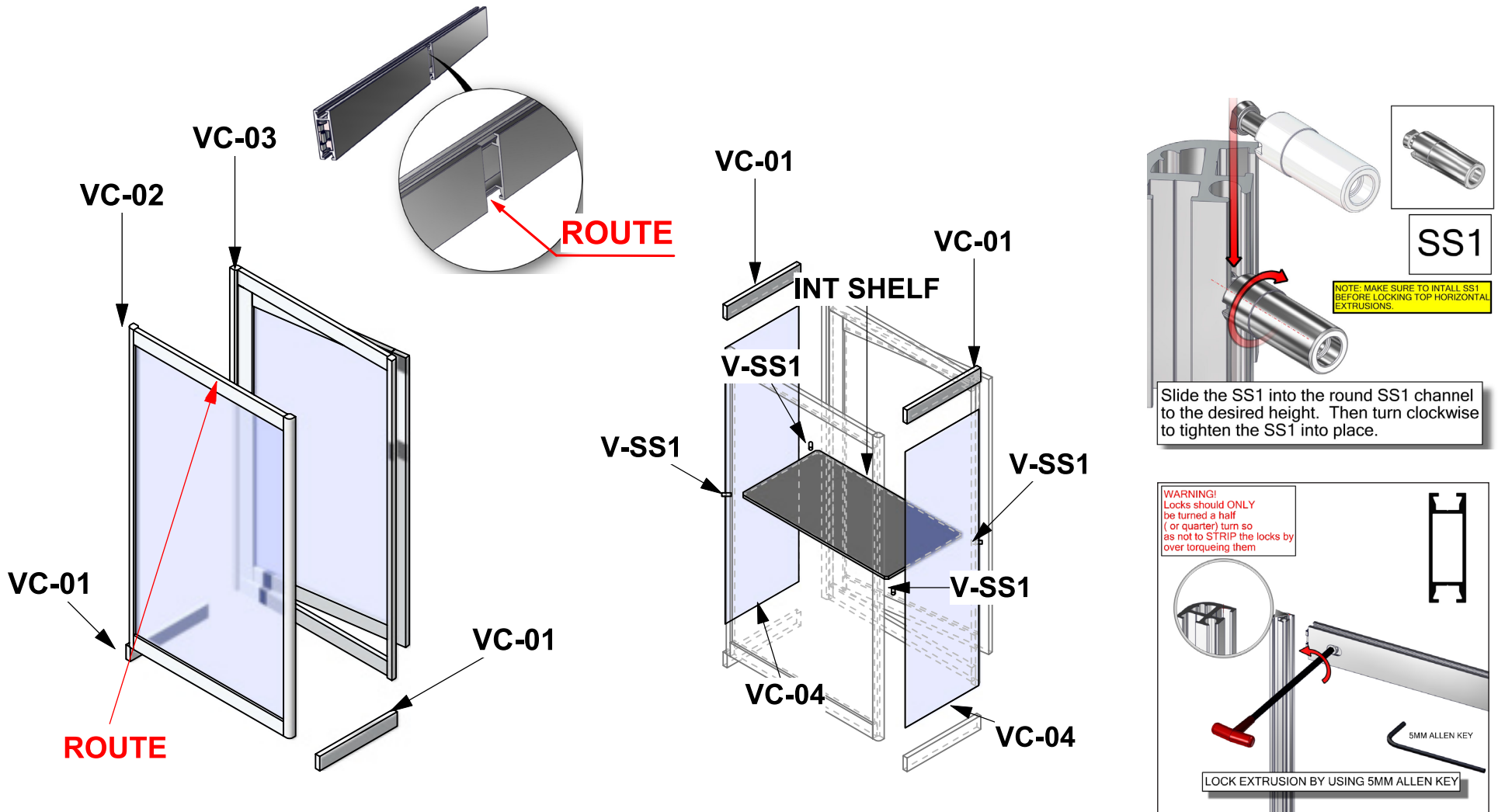
NOTE: MAKE SURE TO SLIDE INTO MIDDLE FRONT CHANNEL VE-67 2X SQUARE HEAD BOLTS



Step 4: Assemble Counter

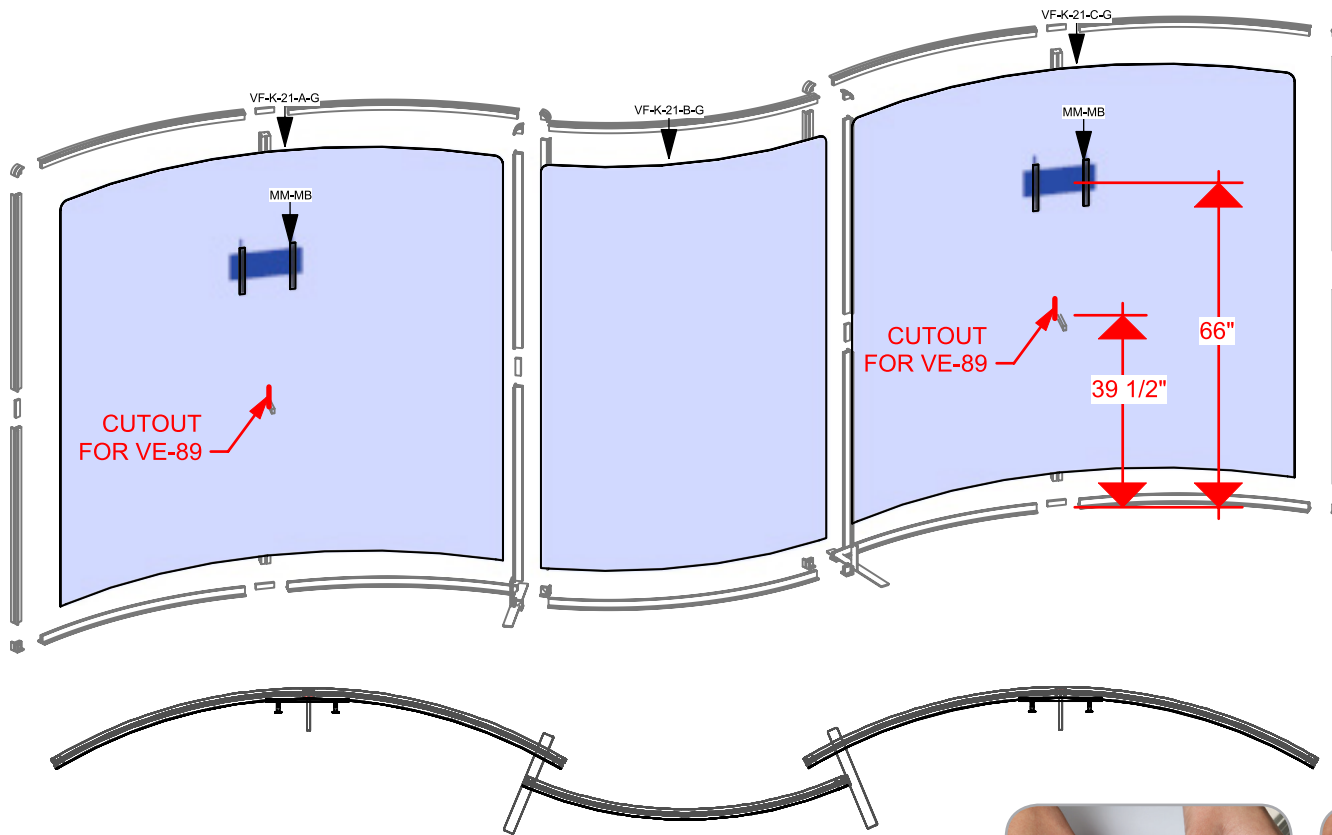
Arrange counter pieces on the floor as shown in the diagram below. Assemble frame by securing VC-01 to VC-02 and VC-03. Be sure to position channel route and door outwards. When locking be sure to turn each cam a little bit and then go back and tighten to the proper tension. Locks should only be turned a quarter turn as to not strip the lock by over tightening.

Internal shelf supports must be installed before locking top horizontal extrusion. First, slide shelf supports (SS1) into the round SS1 channel at the desired height. Repeat for each extrusion. Turn clockwise to tighten the SS1. Slide in rigid sintral graphics and secure by attaching remaining VC-01 to VC-02 and VC-03. Place internal shelf into a level position. Repeat prior steps for second counter.

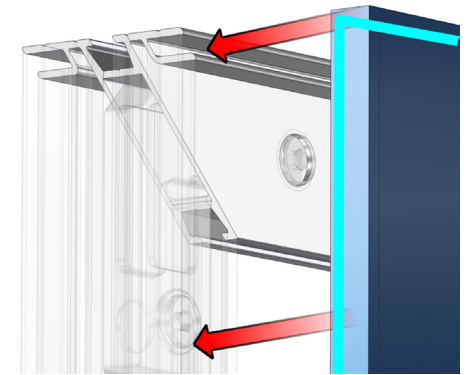


Step 5: Apply Graphics

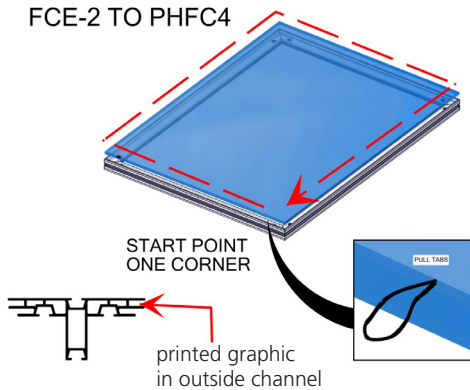
Install graphic(s) by pressing the FCE-2 edge of graphic into the channel of the extrusion. Start in upper left corner, go across the top and then down the sides to the bottom. Assure each graphic is tightly inserted. When taking graphics off, take care to gently pull by attached pull tab.



FCE-2 TO PHFC2



FCE-2 TO PHFC4



Push fabric with FCE-2 edge folded over into each corner of frame.



Press into the middle of the inside channel and continue around perimeter.

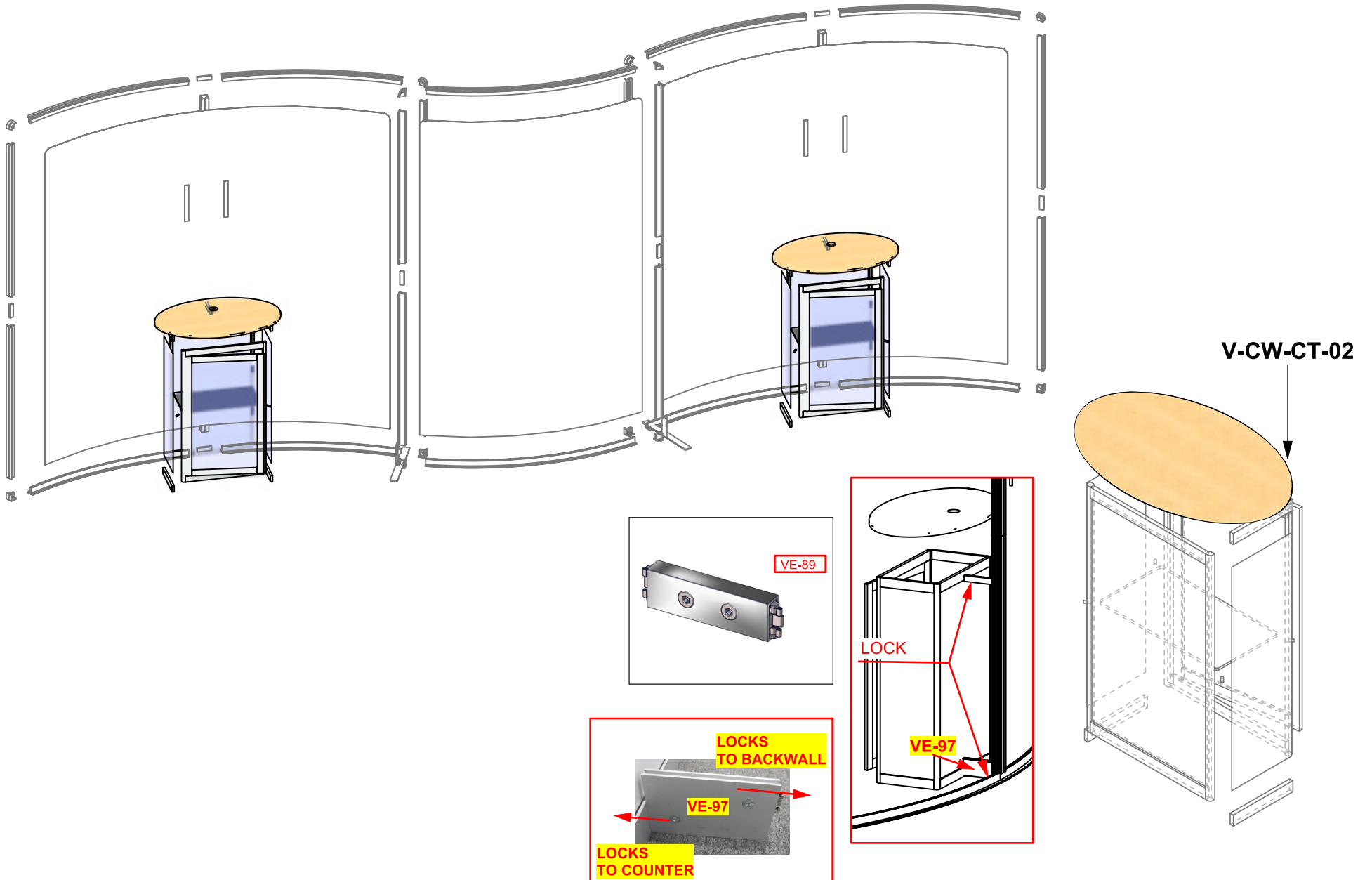


To remove graphic, use the pull tab and gently pull graphic from frame.

Graphic Storage & Care: Graphics should be folded with the graphic facing inward and stored in a ziplock / sealable plastic bag. Spot clean by wiping with a damp white cloth. If washing is necessary, use a commercial size front-loading washing machine, gental cycle with cool water. Line dry flat. Dry cleaning is NOT recommended to prevent shrinkage.

Step 6: Lock Counters to Wall & Attach Countertop

After applying graphics, lock counters to stabilize wall. To connect counters to backwall, line up counter route (shown on previous page) with VE-89 on top and VE-97 on bottom and lock with Allen Key. Locks should only be turned a quarter turn as to not strip the lock by over tightening. Then place the countertop onto each counter.



Step 7: Attach Monitor Mounts & Lights

The graphic will have a slit at location of monitor mount. Secure monitor mount to screws already placed in extrusion channel (see steps 2 & 3) and bolt. Tighten to secure. Slide light clip onto each light. Then slide light into the extrusion channel at an angle and gently lower down and repeat for each light.

