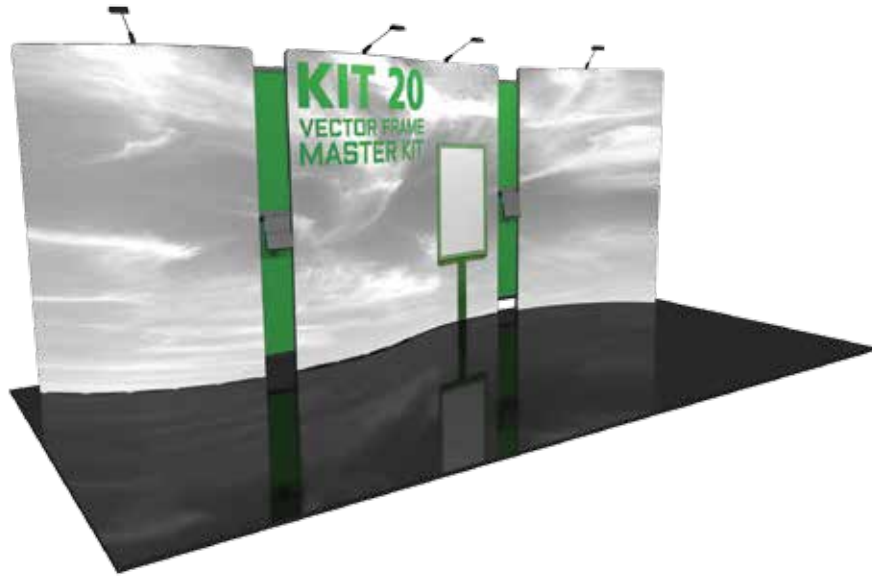


# Vector Frame Kit 20

## VF-K-20

The innovative, contemporary and clean appearance of the Vector Frame™ line of exhibit kits will captivate your audience. Kits feature push-fit fabric graphics, easy-to-assemble extrusion frames, accent lighting, tables, counters, literature accessories, monitor mounts and interior LED edge lighting where indicated.



## features and benefits:

- 50mm silver extrusion frame
- Single-sided SEG dye-sublimated push-fit fabric graphics
- Features two center literature pockets
- Kit includes frame, three fabric graphic panels, four rigid graphic accents, four 120 watt lights, two literature pockets and two wheeled molded cases
- Lifetime hardware warranty against manufacturer defects

## dimensions:

### Hardware

Assembled Unit:  
228.25" w x 102" h x 27.75" d  
5797.55mm(w) x 2591mm(h) x 705mm(d)

### Shipping

Shipping Dimensions - ships in 2 cases:  
One OCH2 case:  
52" l x 30" w x 15" h  
1320mm(l) x 760mm(w) x 380mm(h)

One OCE case:  
66" l x 18" w x 18" h  
1676mm(l) x 457mm(w) x 457mm(h)

Approximate shipping weight (entire kit):  
157 lbs / 71.24 kgs

### Graphic

Total visual area:  
Panel A: 61.12" w x 94.5" h  
1552mm(w) x 2400mm(h)

Panel D: 100.4" w x 94.5" h  
2550mm(w) x 2400mm(h)

Panel G: 52.75" w x 94.5" h  
1340mm(w) x 2400mm(h)

Panels B, C, E & F: 9.81" w x 39.34" h  
249mm(w) x 999mm(h)

Please be sure to include a 2" bleed around the perimeter.

Refer to related graphic templates for more information

## additional information:

Graphic material:  
Dye-sublimated fabric

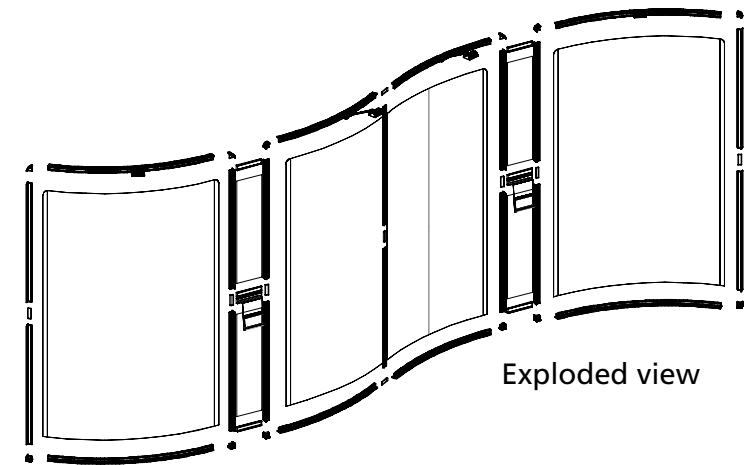
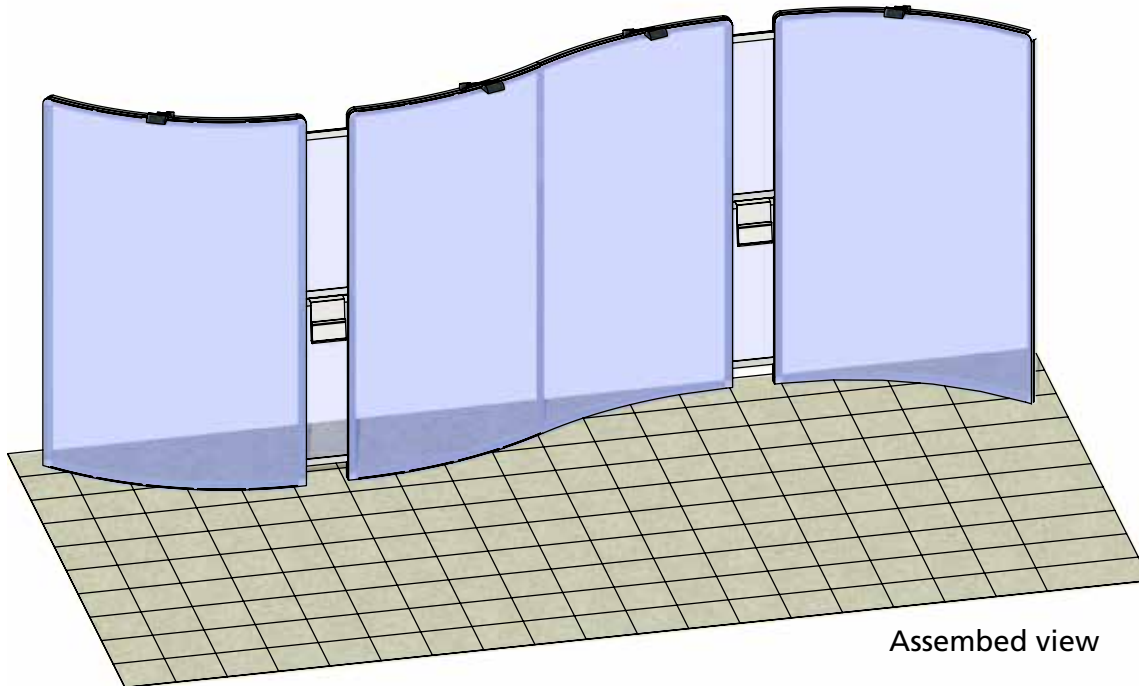
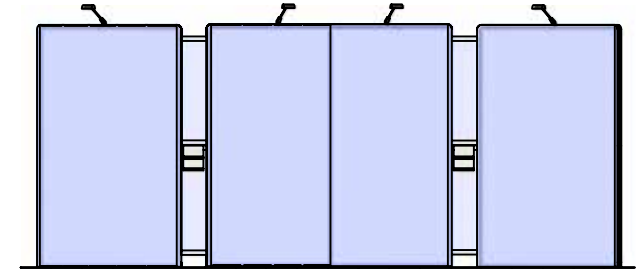
Lights included:  
Lumina 200 120 watt floodlight, curved arm, black finish, 19.5" from end to end

We are continually improving and modifying our product range and reserve the right to vary the specifications without prior notice. All dimensions and weights quoted are approximate and we accept no responsibility for variance. E&OE. See Graphic Templates for graphic bleed specifications.

Parts Included:

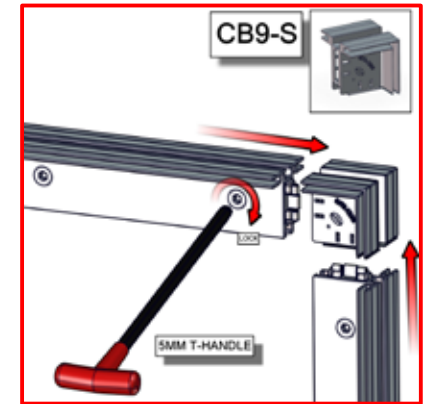
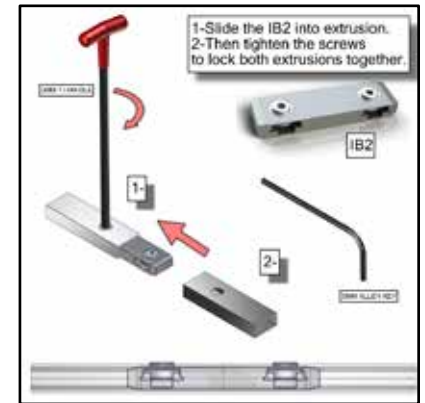
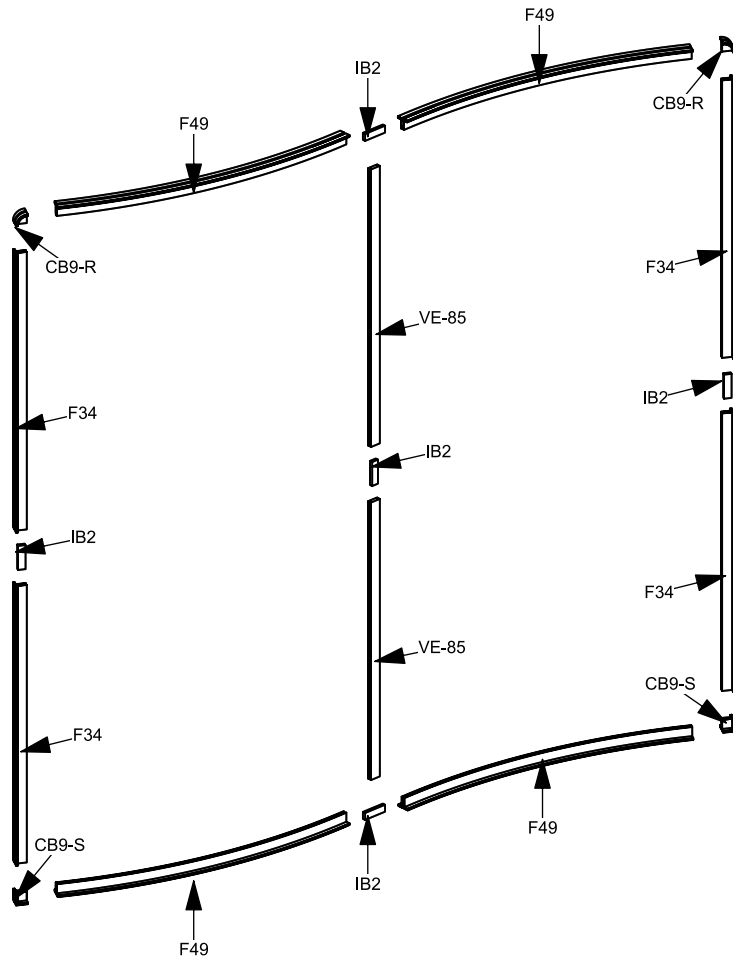
Code	Qty	Description
VF-K-20-A-G	x1	1340MM (52.75")W X 2400MM(94.5")H FABRIC GRAPHIC W/FCE-2 ALL SIDES
VF-K-20-B-G	x1	249MM (9.81")W X 999MM (39.34")H PVC GRAPHIC
VF-K-20-C-G	x1	249MM (9.81")W X 999MM (39.34")H PVC GRAPHIC
VF-K-20-D-G	x1	2550MM (100.4")W X 2400MM (94.5")H FABRIC GRAPHIC W/FCE-2 ALL SIDES
VF-K-20-E-G	x1	249MM (9.81")W X 999MM (39.34")H PVC GRAPHIC
VF-K-20-F-G	x1	249MM (9.81")W X 999MM (39.34")H PVC GRAPHIC
VF-K-20-G-G	x1	1552.5MM (61.12")W X 2400MM (94.5")H FABRIC GRAPHIC W/FCE-2 ALL SIDES
F34	x12	1155MM (45.47") PHFC2 EXTRUSION - WITH IB2 HOLE ONE SIDE - WITH LOCK ONE END
F49	x4	8R X 30 DEGREE PHFC2 EXTRUSION - WITH IB2 LOCK HOLES ONE SIDE - CAM LOCK ONE SIDE
F56	x4	6R X 45 DEGREE PHFC2 EXTRUSION - WITH IB2 LOCK HOLES ONE SIDE - CAM LOCK ONE SIDE
VE-85	x2	1155MM (45.47") LENGTH OF PH1 EXTRUSION - WITH IB2 LOCK HOLES ONE SIDE - SLIDE LOCK ON
VE-75	x8	250MM (9.84") PH EXTRUSION WITH LOCKS TWO ENDS
IB2	x9	PH INLINE CONNECTOR
CB9-R	x6	50MM ROUND PHCF2 CORNER BRACKET
CB9-S	x6	50MM SQUARE PHCF2 CORNER BRACKET
LUM-200-ORL-B LN-3P-LT-FXT	x4	BLACK 200W HALOGEN LIGHT FIXTURE ETL APPROVED
LN112-4	x2	LN112-4

# VF-K-20



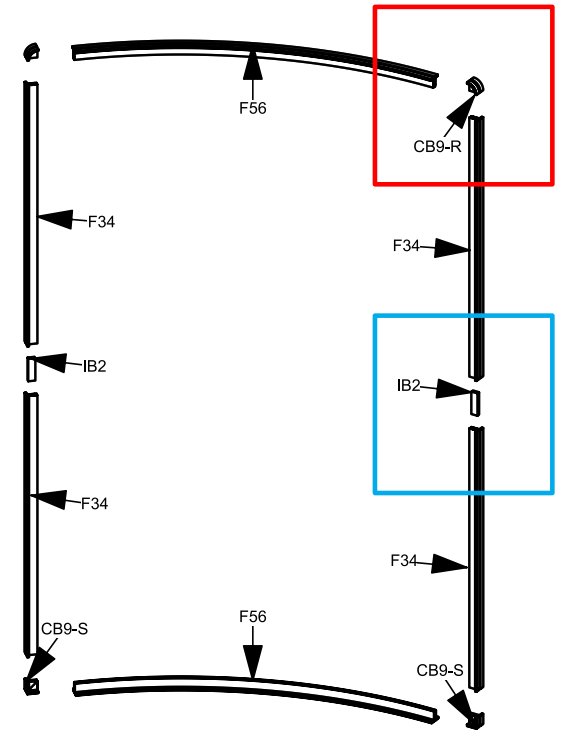
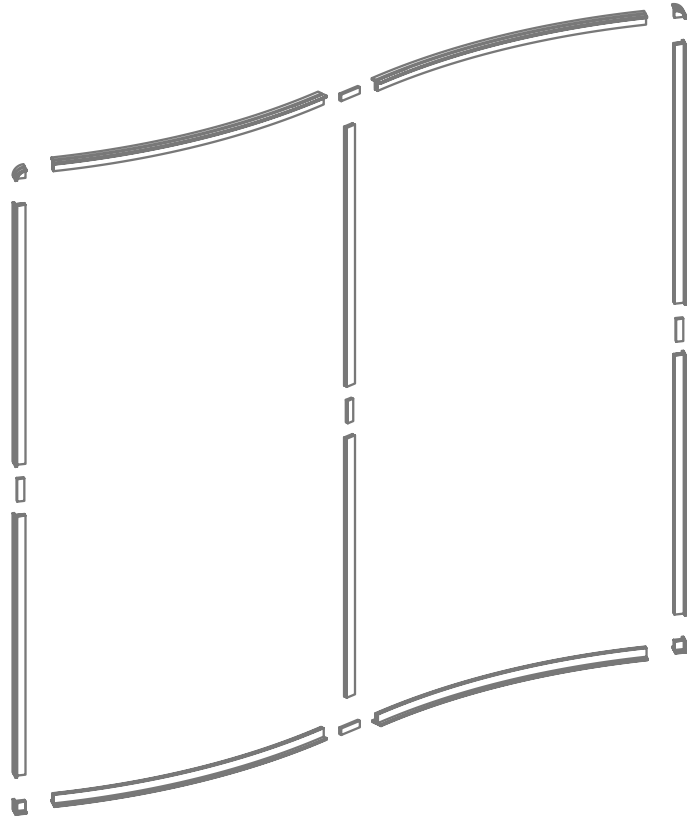
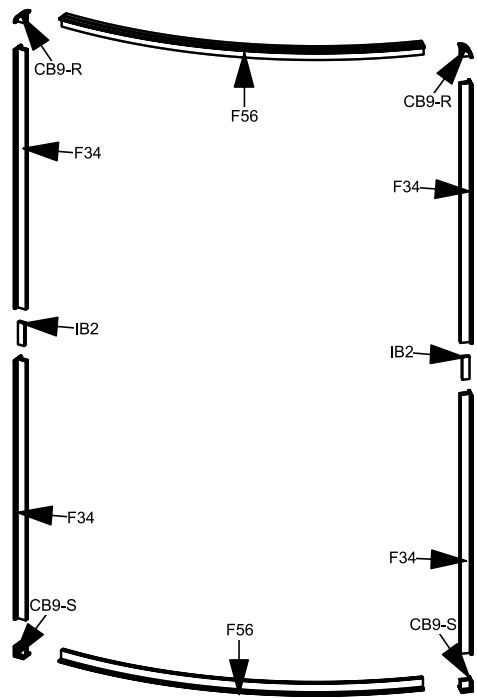
## Step 1: Assemble Center Section

Arrange pieces on the floor as shown in the diagram below. Assemble frame by securing CB9-R's on the top and CB9-S's on the bottom to the F49 and F34s. Slide the IB2 into the extrusion to connect sides. Tighten to the proper tension to lock extrusions together. Connect VE-85 to F49s. When locking be sure to turn each cam a little bit and then go back and tighten to the proper tension. Take care to turn locks only half a turn.



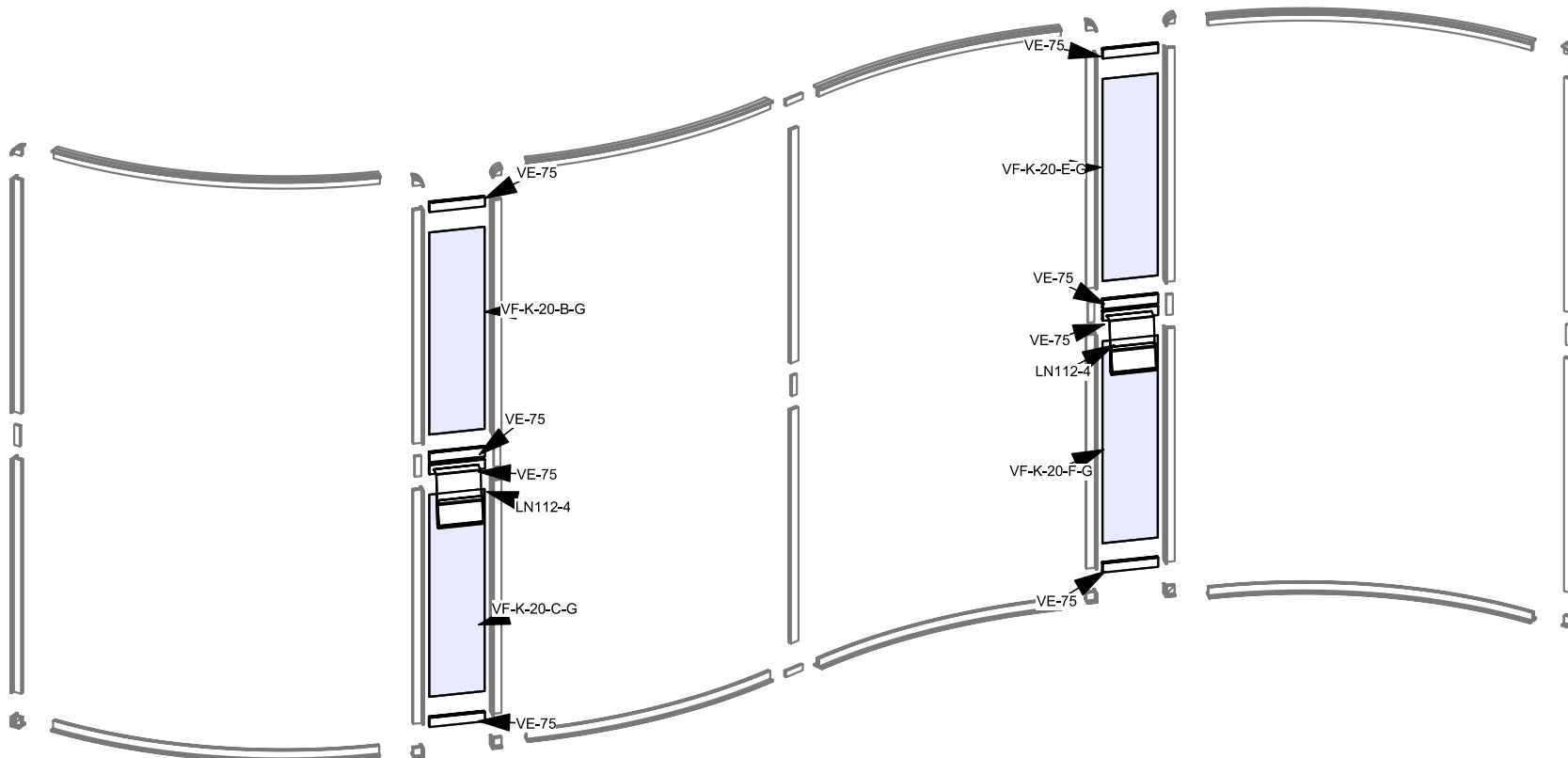
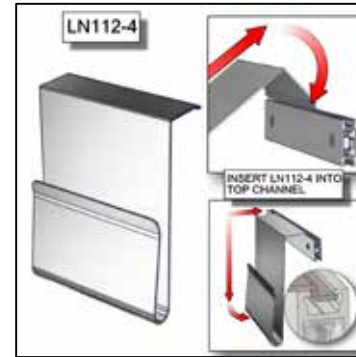
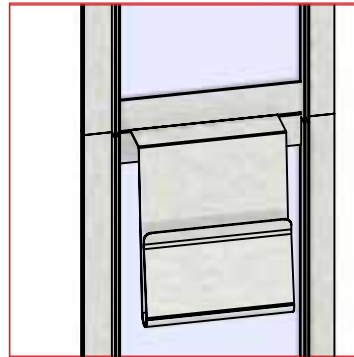
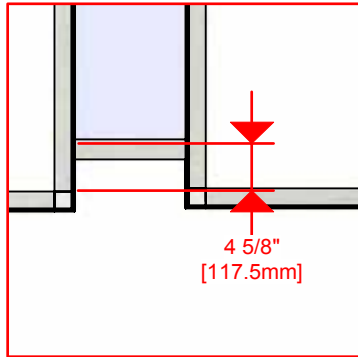
## Step 2: Assemble Left & Right Sections

Arrange pieces on the floor as shown in the diagram below. Assemble frame by securing CB9-R's on the top and CB9-S's on the bottom to the F56 and F34s. When locking be sure to turn each cam a little bit and then go back and tighten to the proper tension. Take care to turn locks only half a turn. Slide the IB2 into the extrusion to connect sides. Tighten to the proper tension to lock extrusions together.



### Step 3: Install Rigid Graphic Panels & Literature Holders

To install left center graphic panel, start with bottom VE-75 up 4" from the ground and build up. Lock bottom VE-75 and insert infill graphic VF-K-20-C-G into VE-75 then lock top VE-75. Next, insert LN-114 into top channel and secure with next VE-75. Insert infill VF-K-20-B-G then secure top VE-77. Repeat this process, building up from the bottom with VF-K-20-F-G and VF-K-20-E-G for right center graphic infill panel.



## Step 4: Apply Graphics & Install Lights

Install graphic(s) by pressing the FCE-2 edge of graphic into the channel of the extrusion. Start in upper left corner and insert in remaining corners, then push graphic into each side. Assure graphic is tightly inserted. When taking graphics off, take care to gently pull by attached pull tab. Slide light clip onto each light. Then slide light into the extrusion channel at an angle and gently lower down and repeat for each light.

