

Vector Frame Kit 10

VF-K-10

The innovative, contemporary and clean appearance of the Vector Frame™ line of exhibit kits will captivate your audience. Kits feature push-fit fabric graphics, easy-to-assemble extrusion frames, accent lighting, tables, counters, literature accessories, monitor mounts and interior LED edge lighting where indicated.



features and benefits:

- 50mm silver extrusion frame
- Single-sided SEG dye-sublimated fabric graphics
- Counter available in four thermoform finishes, shown below
- Kit includes frame, five fabric graphics, four rigid graphic accent wings, two 120 watt lights, one counter and two wheeled molded cases
- Lifetime hardware warranty against manufacturer defects

dimensions:

Hardware	Graphic
<p>Assembled Unit: 118.25" w x 102" h x 19" d 3029mm(w) x 2591mm(h) x 483mm(d)</p> <p>Counter: 46" w x 40.5" h x 22.625" d 1168.4mm(w) x 1029mm(h) x 575mm(d)</p>	<p>Total visual area: Center graphic panel: 100.275" w x 94.375" h 2546mm(w) x 2397mm(h)</p> <p>Top accent wings: 8.26" w x 45.27" h 210mm(w) x 1150mm(h)</p>
<p>Shipping</p> <p>Shipping Dimensions - ships in 2 cases: 1 OCH2 case: 52" l x 30" w x 15" h 1320mm(l) x 760mm(w) x 380mm(h)</p> <p>1 OCE case: 66" l x 18" w x 18" h 1676mm(l) x 457mm(w) x 457mm(h)</p> <p>Approximate shipping weight (entire kit): 152 lbs / 68.95 kgs</p>	<p>Counter: Front (wraps around): 46.24" w x 39.24" h 1174mm(w) x 997mm(h)</p> <p>Back: 15.625" w x 39.24" h 397mm(w) x 997mm(h)</p> <p>Please be sure to include a 2" bleed around the perimeter.</p> <p>Refer to related graphic templates for more information</p>

additional information:

Graphic Material:
Dye-sublimated fabric

Tabletop color options:



silver



black



mahogany



natural

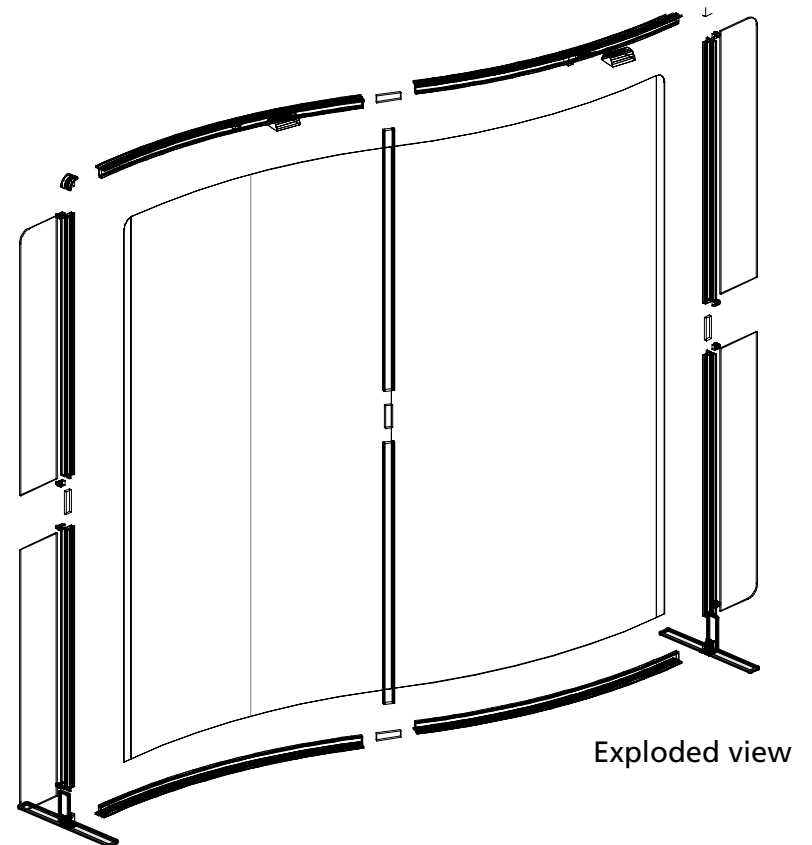
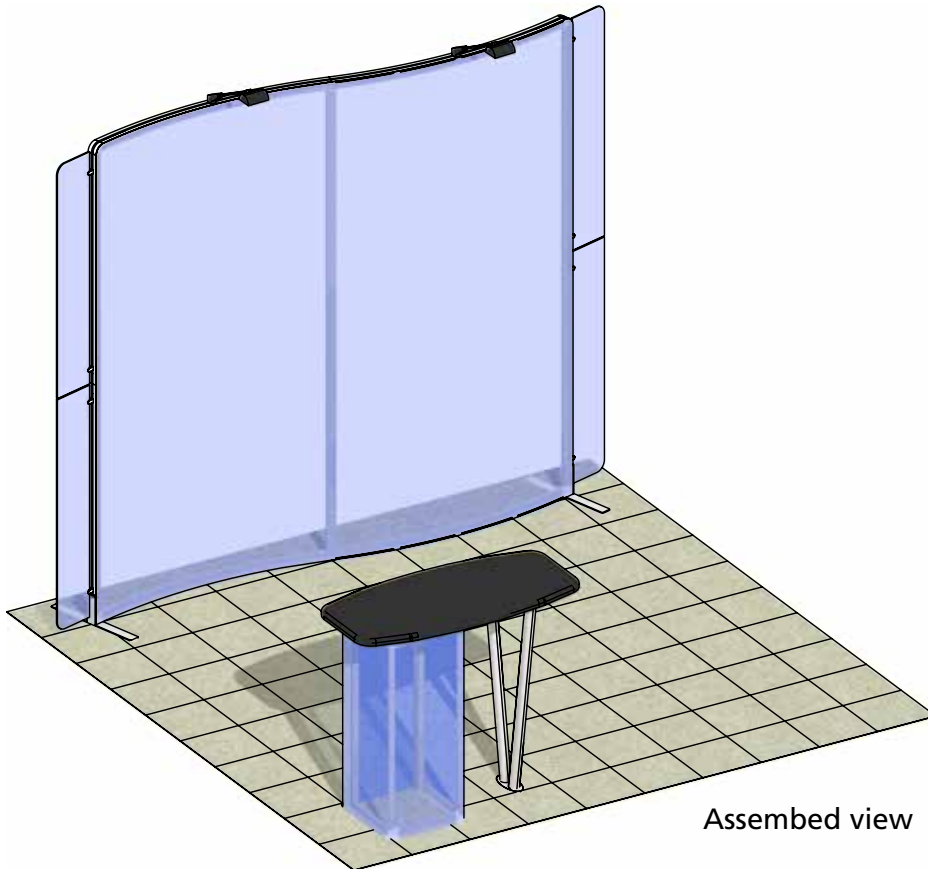
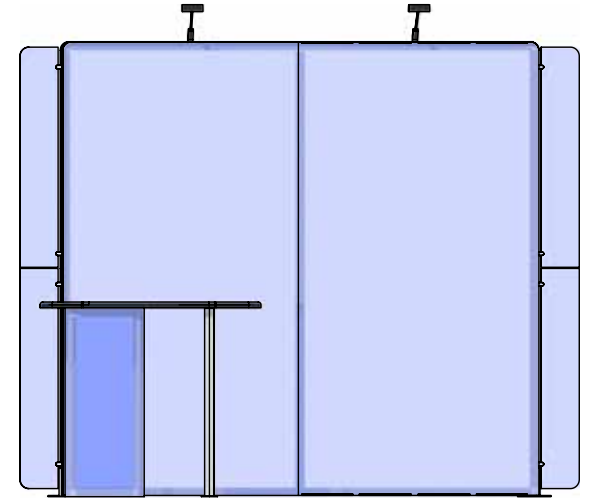
Lights Included:
Lumina 200 120 watt floodlight, curved arm, black finish, 19.5" from end to end

Counter holds max weight = 20 lbs / 9 kgs

We are continually improving and modifying our product range and reserve the right to vary the specifications without prior notice. All dimensions and weights quoted are approximate and we accept no responsibility for variance. E&OE. See Graphic Templates for graphic bleed specifications.

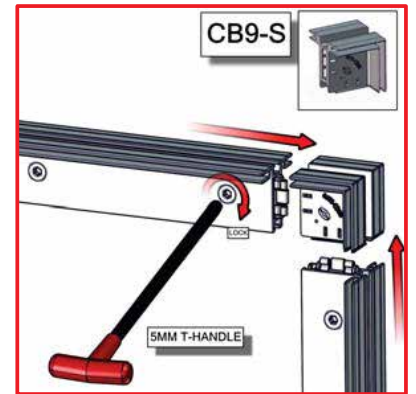
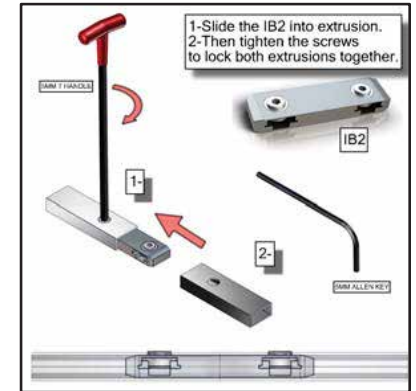
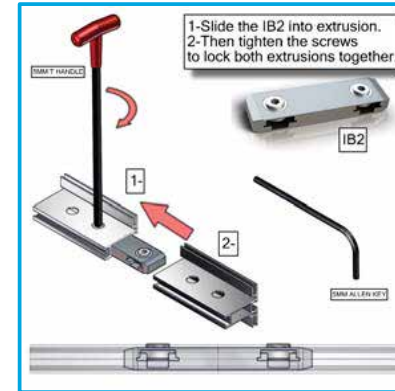
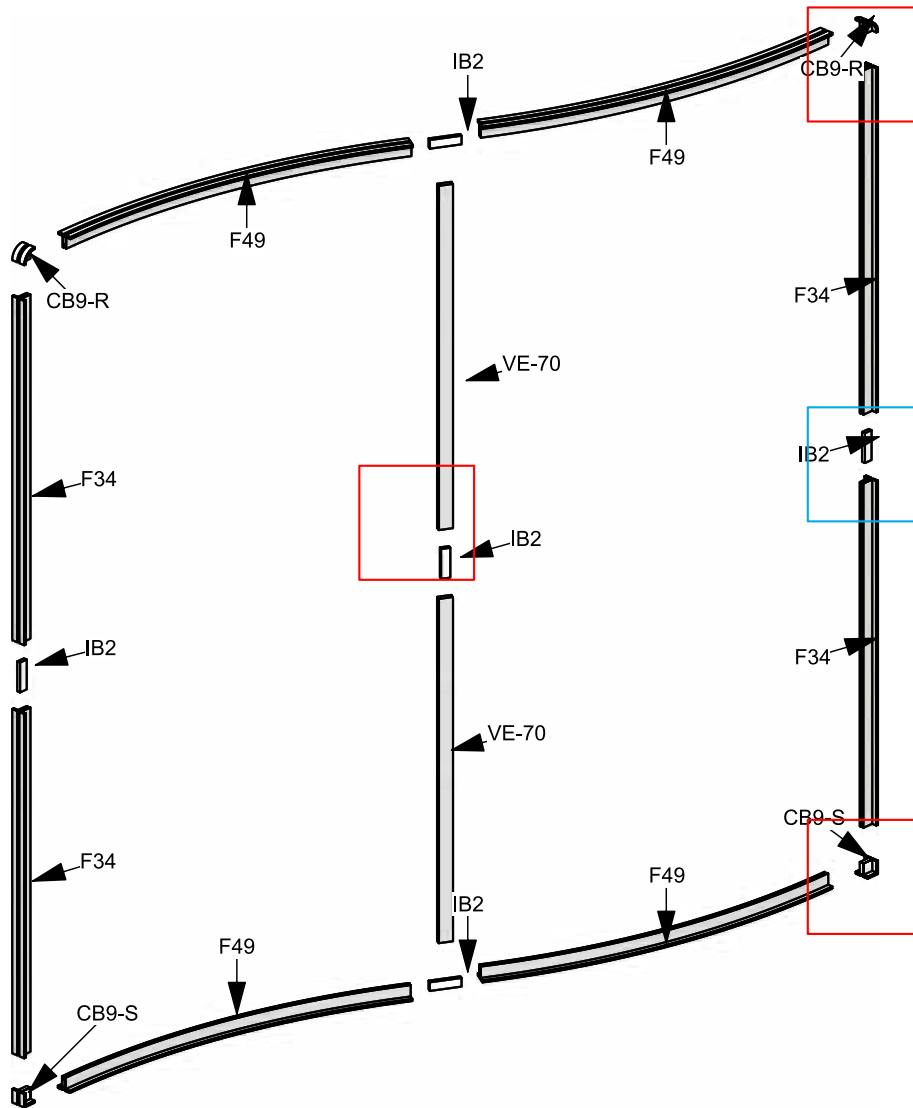
Parts Included:

Code	Qty	Description
VF-K-10-A-G	x1	210MM (8.26")W X 1150MM (45.27")H PVC GRAPHIC
VF-K-10-B-G	x1	210MM (8.26")W X 1150MM (45.27")H PVC GRAPHIC
VF-K-10-C-G	x1	2550MM (100.4")W X 2400MM (94.5")H FABRIC GRAPHIC W/FCE-2 ALL SIDES
VF-K-10-D-G	x1	210MM (8.26")W X 1150MM (45.27")H PVC GRAPHIC
VF-K-10-E-G	x1	210MM (8.26")W X 1150MM (45.27")H PVC GRAPHIC
F34	x4	1155MM (45.47") PHFC2 EXTRUSION - WITH IB2 HOLE ONE SIDE - WITH LOCK ONE END
F49	x4	8R PHFC2 EXTRUSION WITH LOCK ONE SIDE - WITH IB2 LOCK HOLES ONE SIDE
SW-FOOT	x2	VECTOR FRAME SUPPORT FOOT
IB2	x5	PH INLINE CONNECTOR
CB9-S	x2	50MM SQUARE PHCF2 CORNER BRACKET
CB9-R	x2	50MM ROUND PHCF2 CORNER BRACKET
VE-70	x2	1155MM (45.47") PH EXTRUSION WITH IB2 HOLE ONE SIDE - WITH LOCK ONE END
LUM-200-ORL-B LN-3P-LT-FXT	x2	BLACK 200W HALOGEN LIGHT FIXTURE ETL APPROVED
PANEL CLAMP	x8	7MM PLASTIC MOLDED PANEL CLAMP



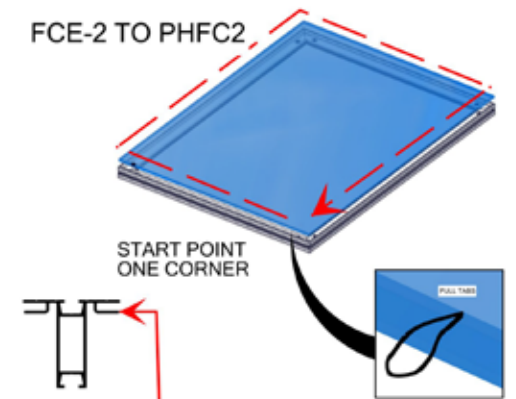
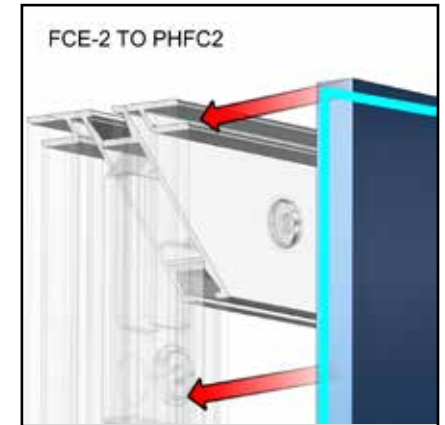
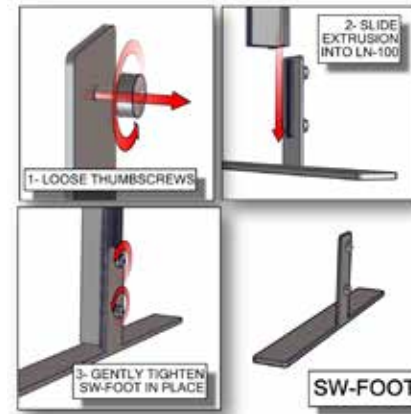
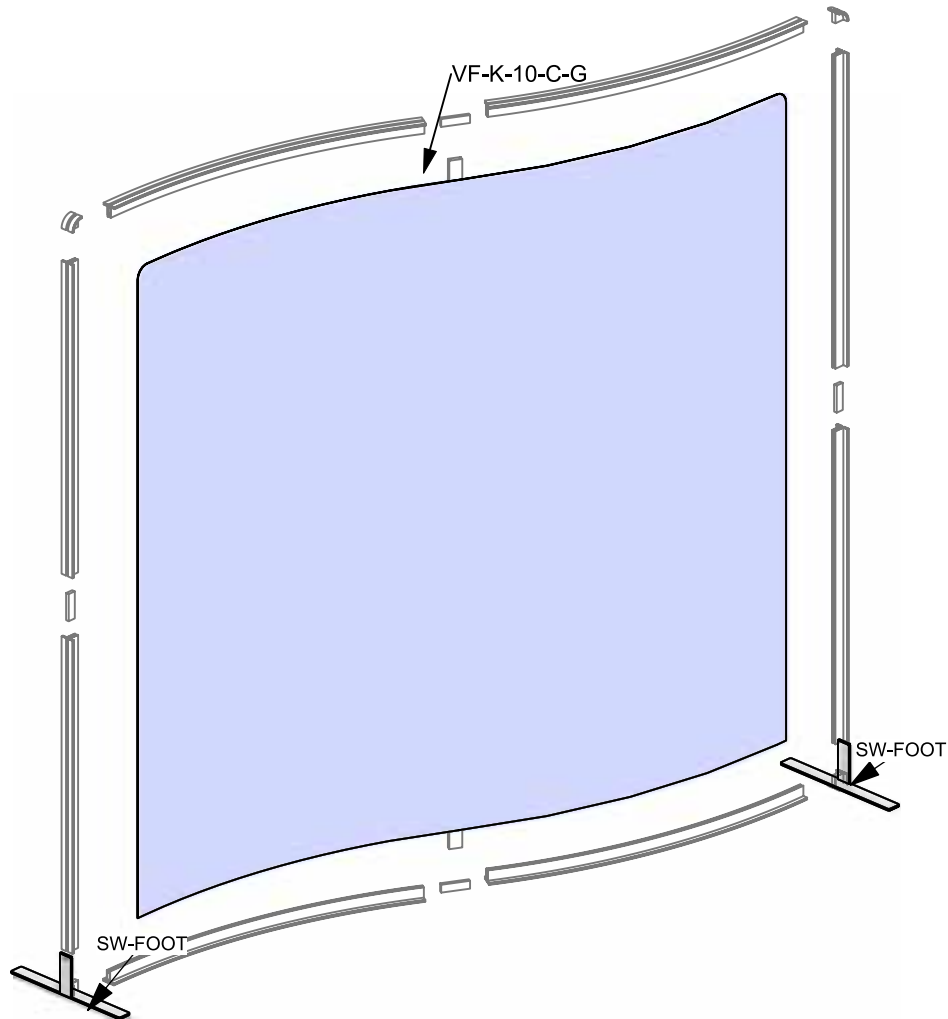
Step 1: Assemble Frame

Arrange pieces on the floor as shown in the diagram below. Assemble frame by securing CB9-R's on the top and CB9-S's on the bottom to the F49s and F34s. When locking be sure to turn each cam a little bit and then go back and tighten to the proper tension. Take care to turn locks only half a turn. Slide the IB2 into the extrusion to connect sides. Tighten to the proper tension to lock extrusions together.



Step 2: Apply Graphics & Attach Feet

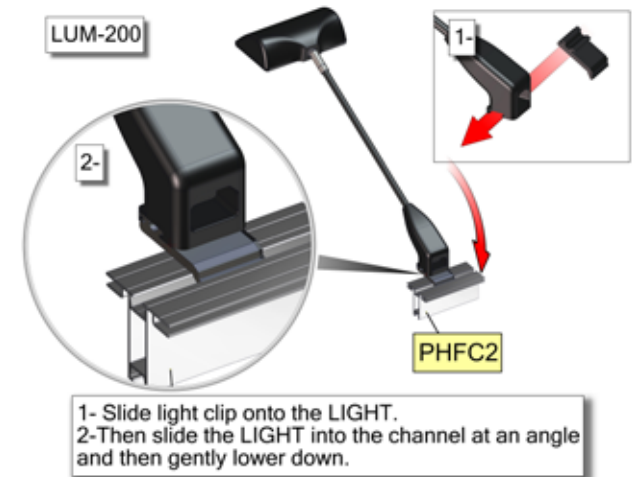
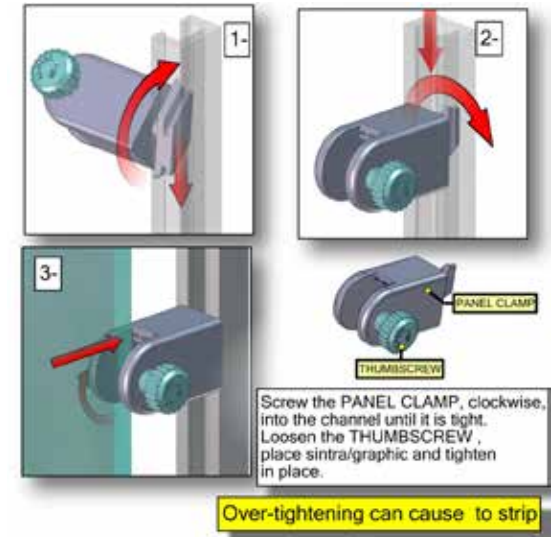
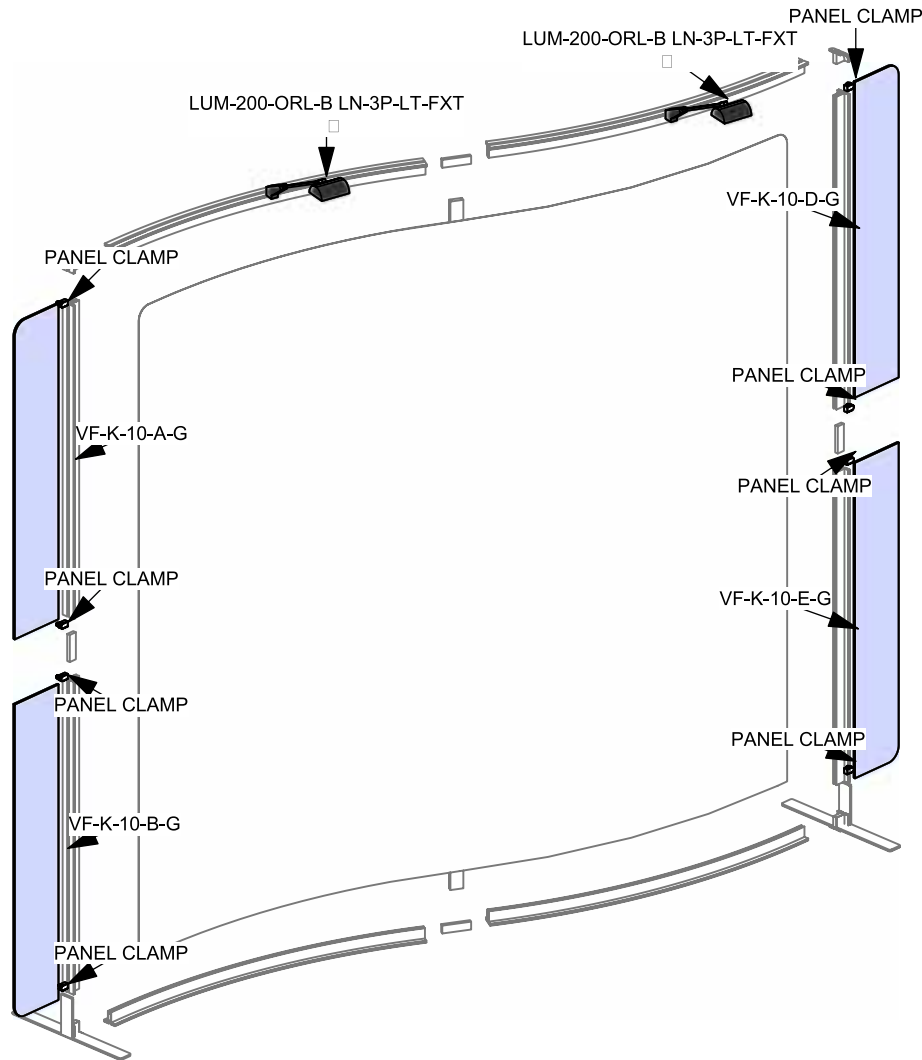
Apply graphic(s) by pressing the FCE-2 edge of graphic into the channel of the extrusion. Start in upper left corner, go across the top and then down the sides to the bottom. Assure each graphic is tightly inserted. When taking graphics off, take care to gently pull by attached pull tab. To adhere foot to frame, loosen thumbscrews from foot. Slide extrusion into LN-100 groove. Tighten to the proper tension to secure supporting feet.



Install graphic by pressing the FCE-2 into the channels of PHFC2 extrusion. To pull graphics out of the channels, use tabs on the front side

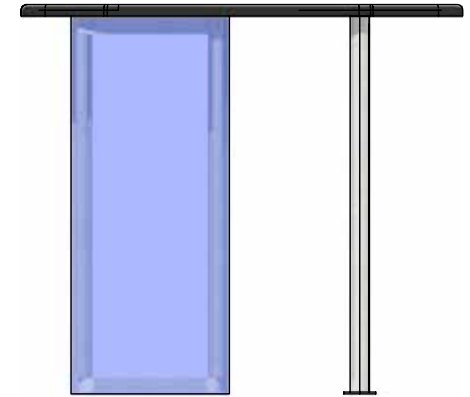
Step 3: Attach Accent Wings & Lights

To attach accent wings, screw panel clamp clockwise, into the channel until it is tight. Loosen the thumbscrew. Place rigid sintra graphics into place and tighten thumbscrew to secure. Overtightening can strip thumbscrew and damage graphic. Slide light clip onto each light. Then slide light into the extrusion channel at an angle and gently lower down and repeat for each light.

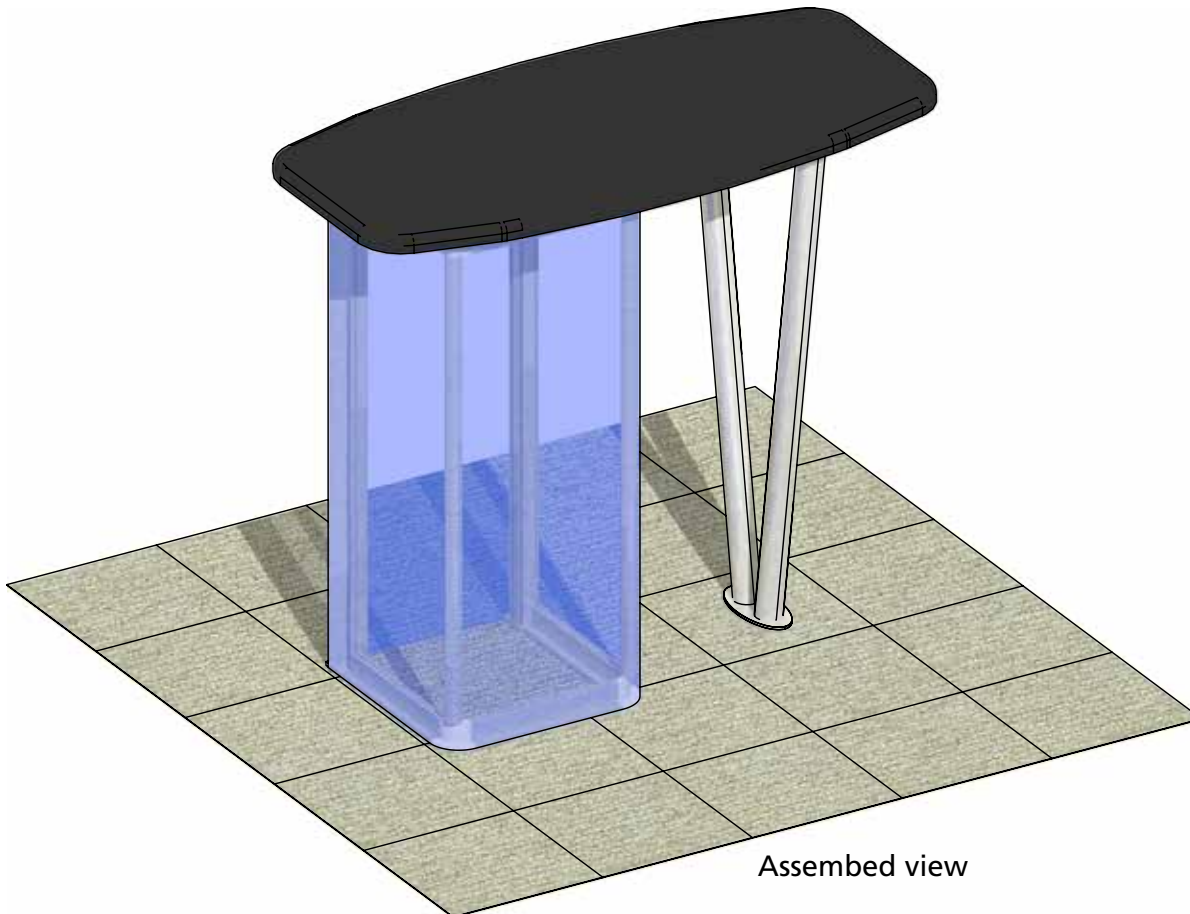


Parts Included:

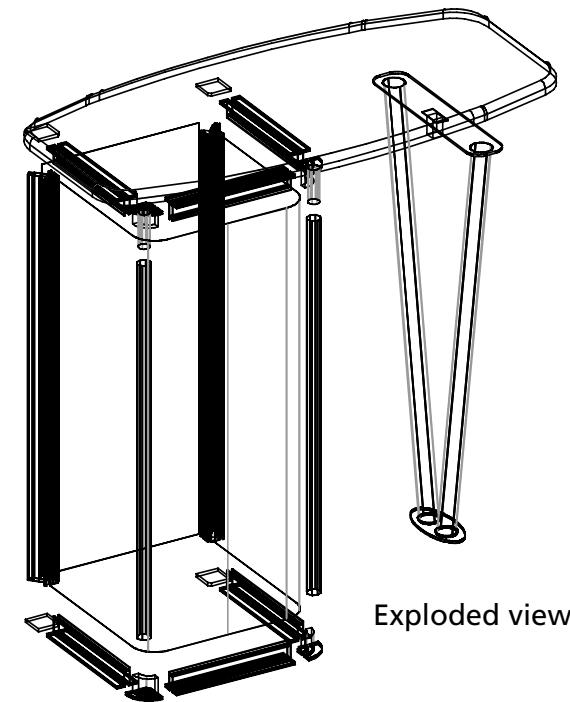
Code	Qty	Description
VFC-07-A-G	x1	1178MM (46.37")W X 1000MM (39.38")H FABRIC GRAPHIC W/FCE-2 ALL SIDES
VFC-07-B-G	x1	400MM (15.75")W X 1000MM (39.38")H FABRIC GRAPHIC W/FCE-2 ALL SIDES
TUBE-30-910	x2	910MM X 30MM TUBE WITH ES30 HOLES BOTH ENDS
CB10-R	x4	50MM ROUND PHCF2 CORNER BRACKET
F24	x2	986MM (38.32") PMFC2-90 EXTRUSION - WITH IB2 LOCK HOLES BOTH SIDES
F43	x6	300MM (11.81") PHFC2 EXTRUSION WITH LOCKS TWO ENDS
V-LG-02	x1	1005MM X 450MM (39.5625" X 17.72") V LEG 50MM CHANNEL TUBE
VFC-07-CT	x1	COUNTERTOP FOR VECTOR FRAME COUNTER VFC-07
PMFC2-90-CAP	x4	PMFC2 90 DEGREE EXTRUSION CAP



Overhead view



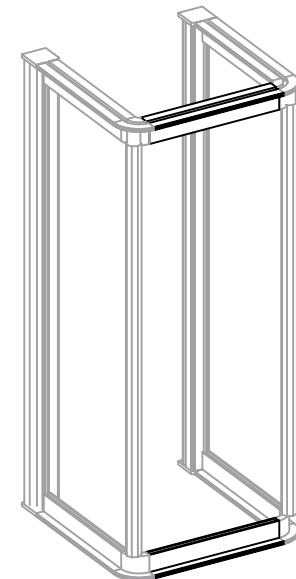
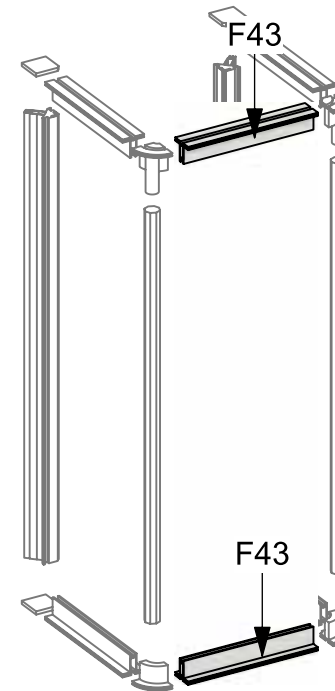
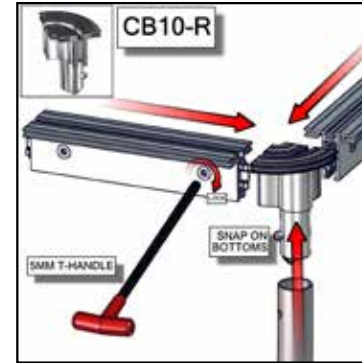
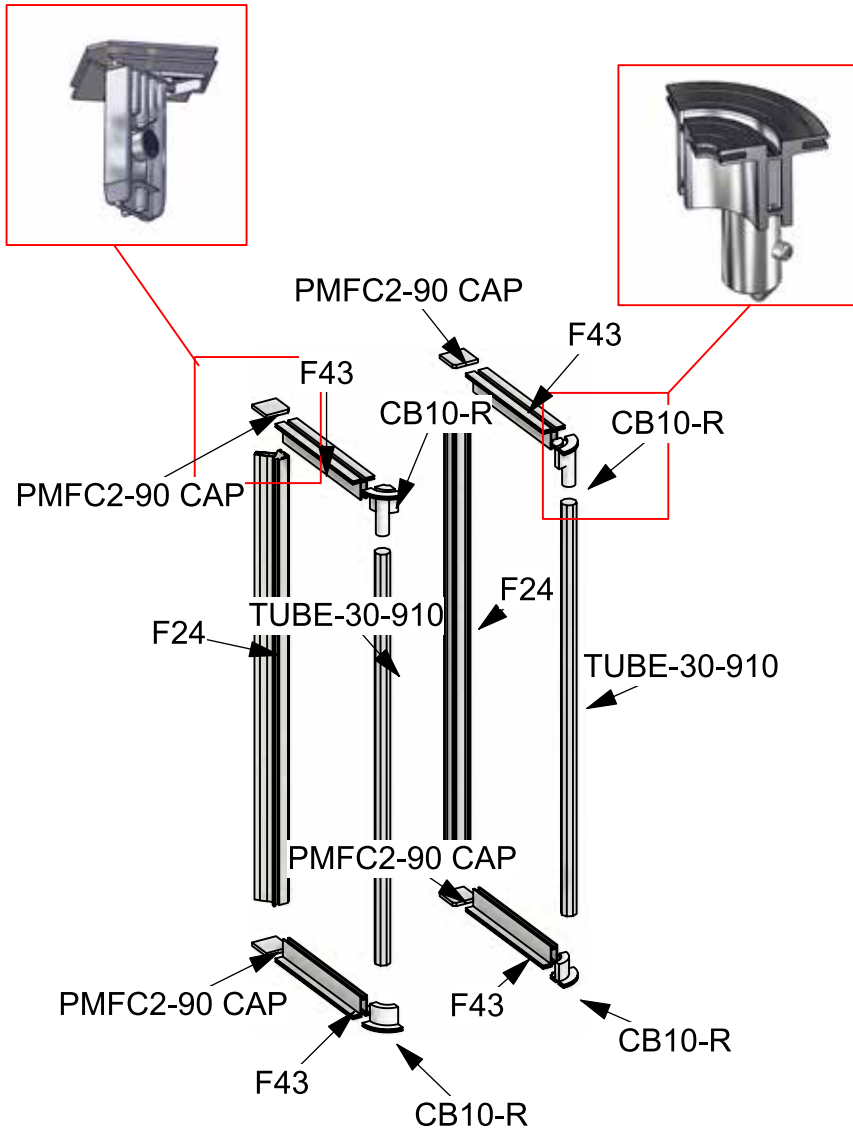
Assembled view



Exploded view

Step 1: Assemble Counter Frame

Arrange pieces on the floor as shown in the diagram below. Assemble frame sides by securing CB10-R to F43 and TUBE-30-910. Continue frame assembly by locking F48s, F54s and F24s to extrusion. When locking be sure to turn each cam a little bit and then go back and tighten to the proper tension. Take care to turn locks only a quarter turn, so as to not strip the locks by over tightening.



Step 2: Apply Graphics & Attach Countertop

Apply push-fit fabric graphic(s) by pressing the FCE-2 edge of graphic into the channel of the extrusion. Start in upper left corner, go across the top and then down the sides to the bottom. Repeat for each side. Assure each graphic is tightly inserted. When taking graphics off, take care to gently pull by attached pull tab. To secure countertop, first place leg in the proper orientation. Insert the thumb connector into the bottom of the countertop and make a 1/4 turn clockwise to tighten in place.

