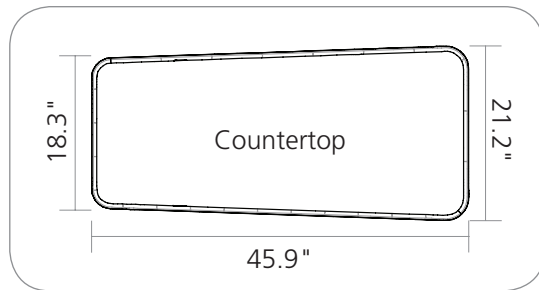


Tusk - Leg Counter

LN-CU-03

Dress up your space with sophisticated and functional counters. Counter tops are available in four thermoform finishes – silver, black, mahogany, and natural. Printed graphic panels create the base of the counter. Comes standard with a locking cabinet door. Custom counter top colors are available.



We are continually improving and modifying our product range and reserve the right to vary the specifications without prior notice. All dimensions and weights quoted are approximate and we accept no responsibility for variance. E&OE. See Graphic Templates for graphic bleed specifications.

features and benefits

- Custom appearance
- Easy to assemble
- Table top available in four finishes
- Locking door
- Internal shelf
- Installation tool included
- Aluminum frame construction
- Custom top and graphic colors available
- Legs can turn 90° for a different look
- Lifetime limited hardware warranty against manufacturer defects

dimensions

Hardware	Graphic
<p>Assembled Unit: 45.9" w x 39.2" h x 21.2" d approx. 1166mm(w) x 996mm(h) x 538mm(d)</p> <p>Interior Cabinet Dimensions: 22" w x 38" h x 12" d approx. 559mm(w) x 965mm(h) x 305mm(d)</p> <p>Tabletop Dimensions: 45.9" w x 1" h x 21.2" d approx. 1166mm(w) x 25mm(h) x 538mm(d)</p>	<p>Total visual area: Cabinet Front: 21.31" w x 35.8" h 541mm(w) x 909mm(h)</p> <p>Cabinet Back Door: 17.53" w x 32.18" h 445mm(w) x 817mm(h)</p> <p>Cabinet Sides: 11" w x 35.8" h 279mm(w) x 909mm(h)</p>
<p>Shipping</p> <p>Shipping dimensions - ships in 2 boxes: Each box: 48" l x 24" w x 4" h 1219mm(l) x 610mm(w) x 102mm(h)</p> <p>Approximate shipping weight: 55 lbs / 25 kgs</p>	<p>Refer to related graphic template for more information.</p>

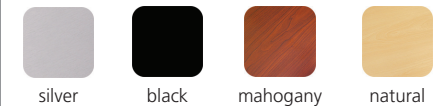
additional information

Graphic Material:
UV prints on 6mm sintra

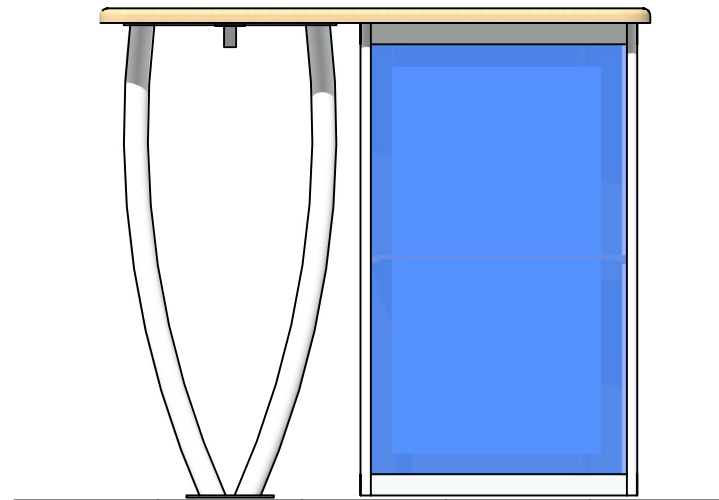
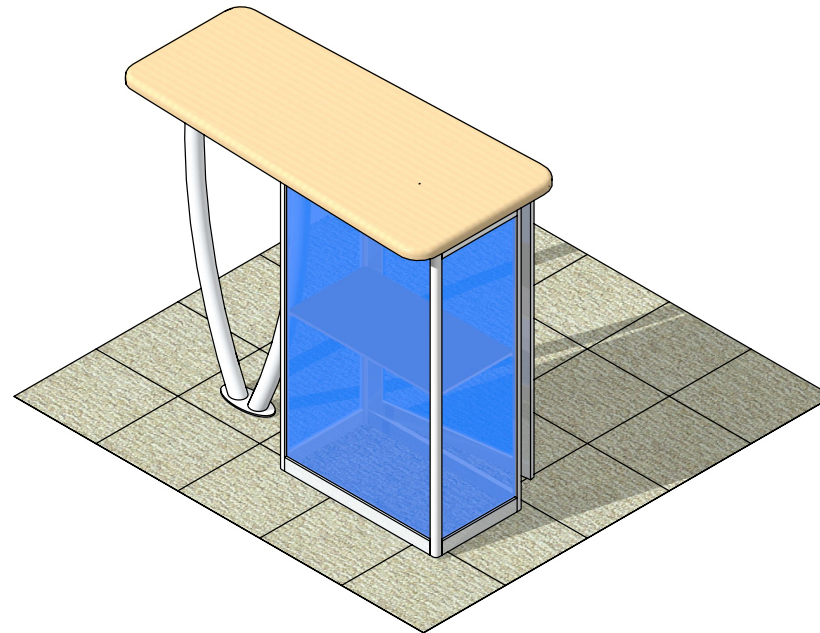
Counter holds max 50 lbs / 23 kgs

Optional Shipping Case: OCH2

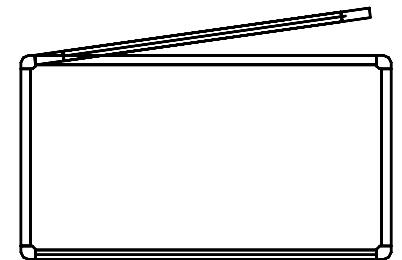
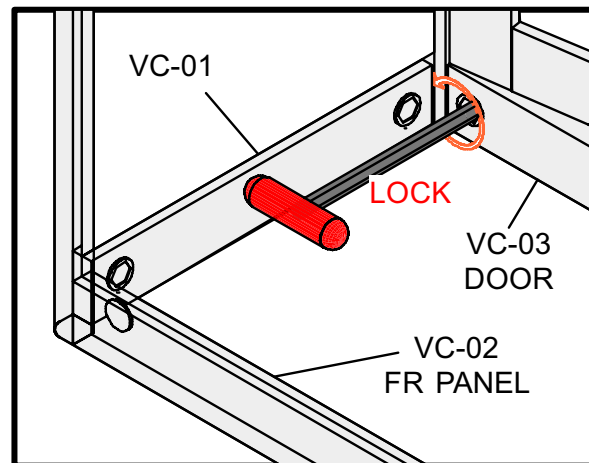
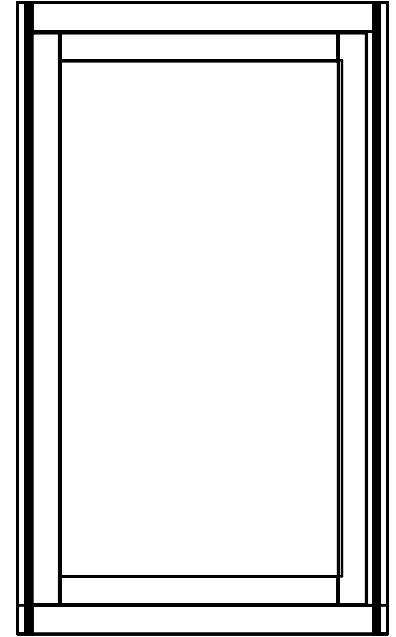
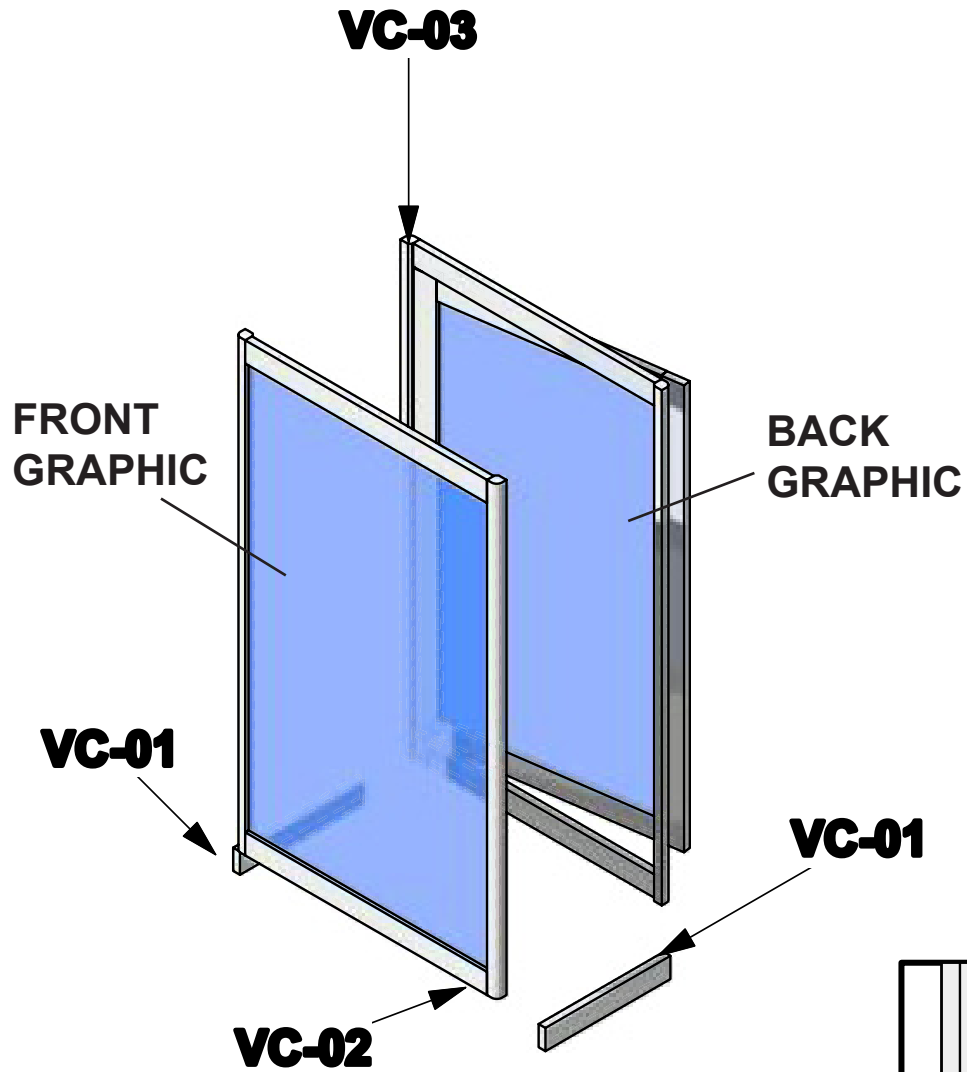
Tabletop colors:



Parts Included		
Part Label	Qty	Part code
VC-01	x4	PH-280-S-S
VC-02	x1	CAB-01-FR
VC-03	x2	CAB-01-DR
VC-04	x2	CAB-01-SN-SD
Cabinet Front	x1	-
Cabinet Back	x1	-
Cabinet Side	x2	-
Internal Shelf	x1	-
Shelf Support	x4	-
V-CU-CT-01	x1	V-CU-CT-01
Tool kit	x1	V-TK-01

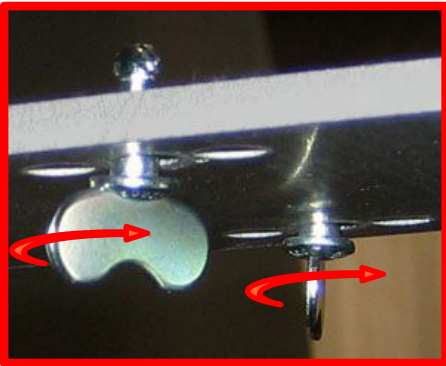


Step 1.
Attach the cabinet front (VC-02) and back (VC-03) using the VC-01s. See attachment detail below. Be sure to only turn locks half a turn as not to strip them.

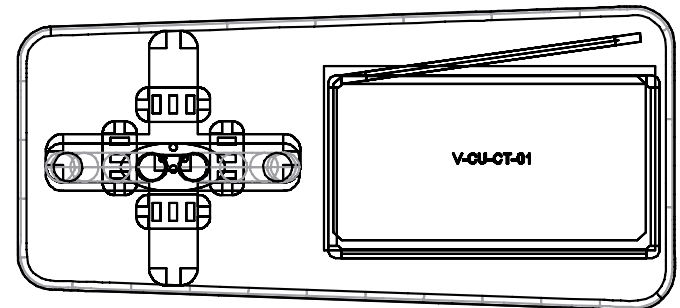
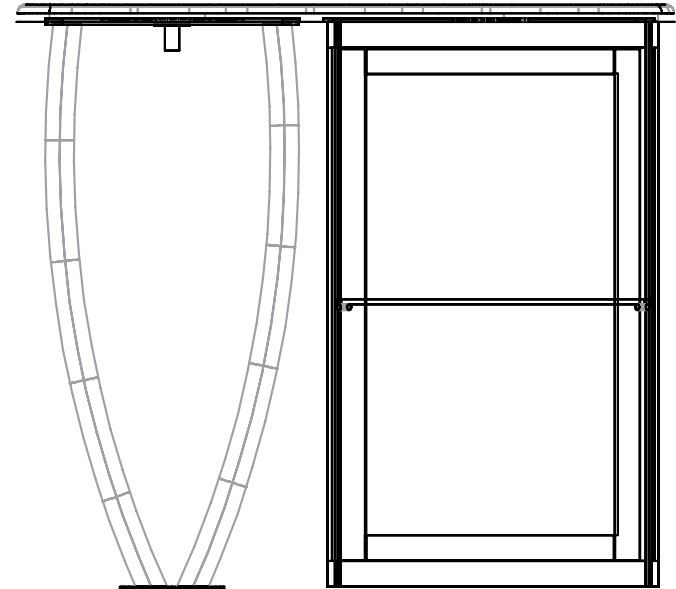
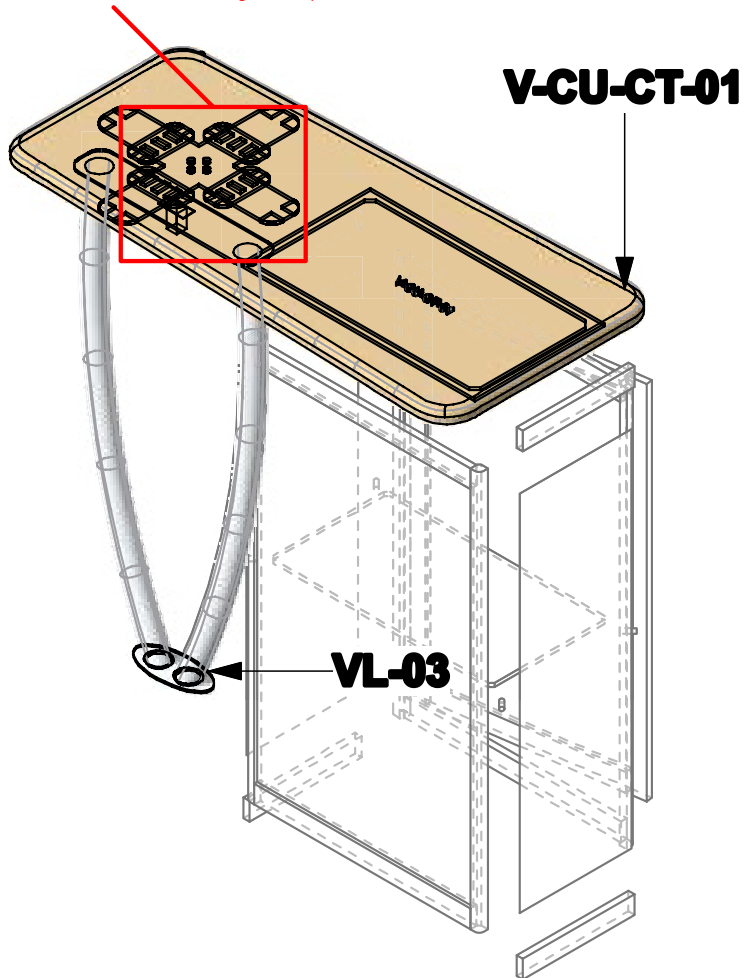


Step 3.

Attach legs to counter using thumb screws. Attach completed countertop to cabinet base.



Insert the thumb connector into the bottom of the counter top and make a 1/4 turn clockwise to tighten in place.



Linear Counters



X-Leg Counter



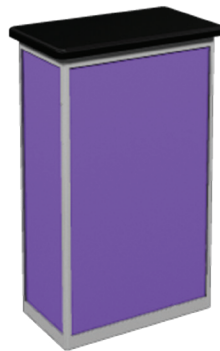
V-Leg Counter



Tusk Leg Counter



Oval Counter



Counter - Rectangle



Straight Leg Counter



Double Reception Counter