

Start

STRT-800

The Start is a sleek and sturdy retractable, swivel foot banner stand. With its own carry bag, the Start is the perfect affordable on-the-go display solution.



We are continually improving and modifying our product range and reserve the right to vary the specifications without prior notice. All dimensions and weights quoted are approximate and we accept no responsibility for variance. E&OE. See Graphic Templates for graphic bleed specifications.

features and benefits:

- Comes complete with base, snap top rail, three piece bungee pole and carry bag
- Swivel foot base for stability
- Anodized silver finish
- Carry bag included
- 90 day hardware warranty against manufacturer defects

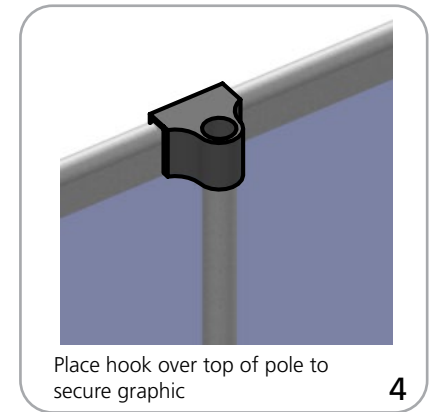
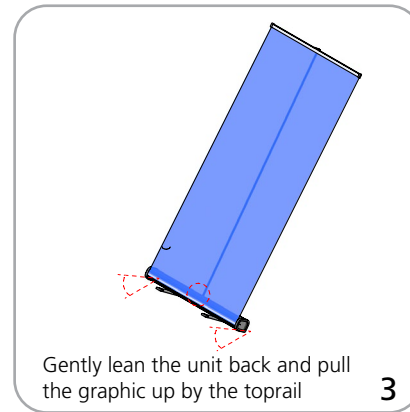
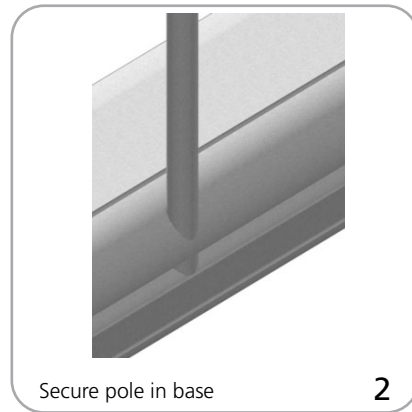
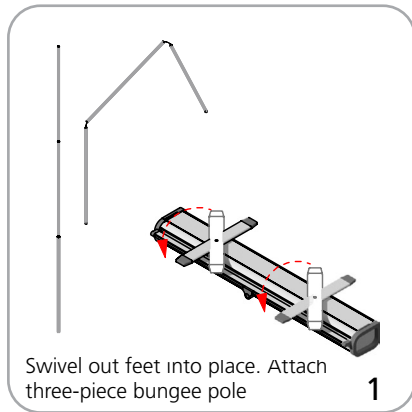
dimensions:

Hardware	Graphic
Assembled unit: 32.5"w x 11.625"d x 83.125"h 826mm(w) x 295mm(d) x 2111mm(h)	Visible dimensions: 31.25"w x 79.25"h 800mm(w) x 2013mm(h)
Shipping	Refer to related graphic template for more information
Shipping dimensions - ships in one box 35"l x 6"w x 5"h 889mm(l) x 152mm(w) x 127mm(h)	WARNING: Always attach graphic to base and top rail before removing the locking pin. After fitting, the graphic should be left for 24 hours before use to ensure the adhesive bonds sufficiently. Opening the base will invalidate the product warranty.
Approximate shipping weight: 9lbs/4kg	

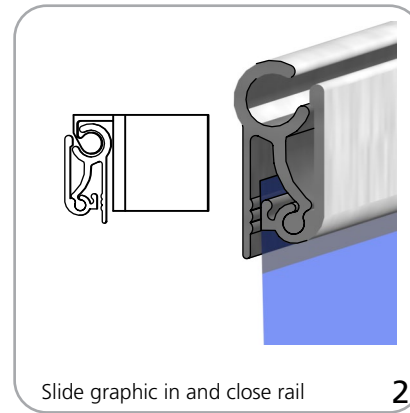
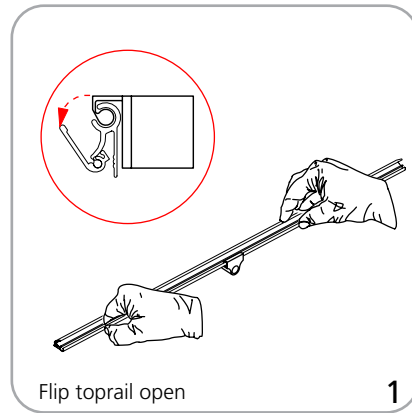
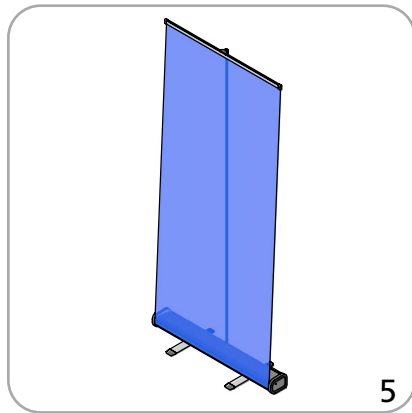
additional information:

- | | |
|---|--|
| Graphic materials:
13 oz flatmaxx vinyl or 7 oz dye-sub cotton | Optional OCB hard shipping case fits two Start banner stands |
| | Lumina 2 banner lighting option available |

Set-Up



Top Rail



Bottom Graphic Attachment

