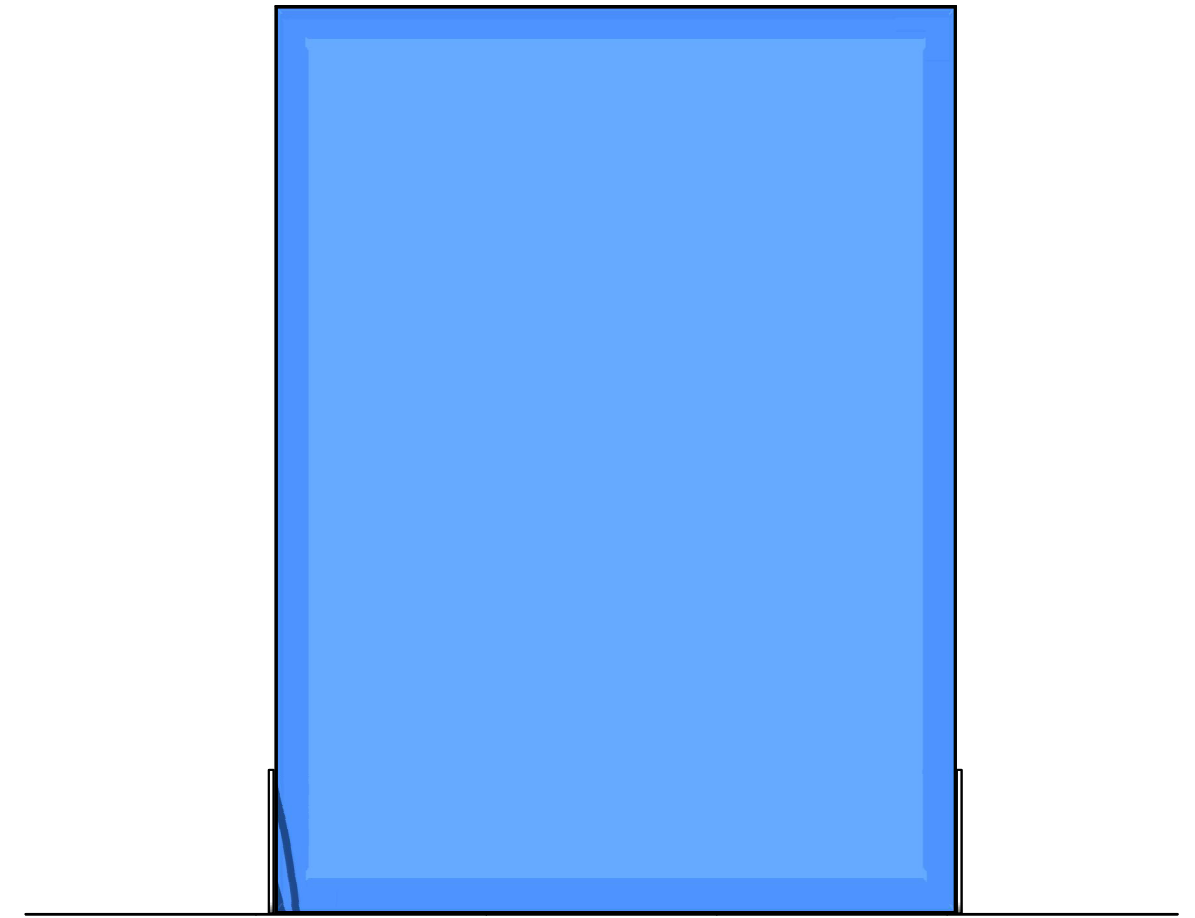
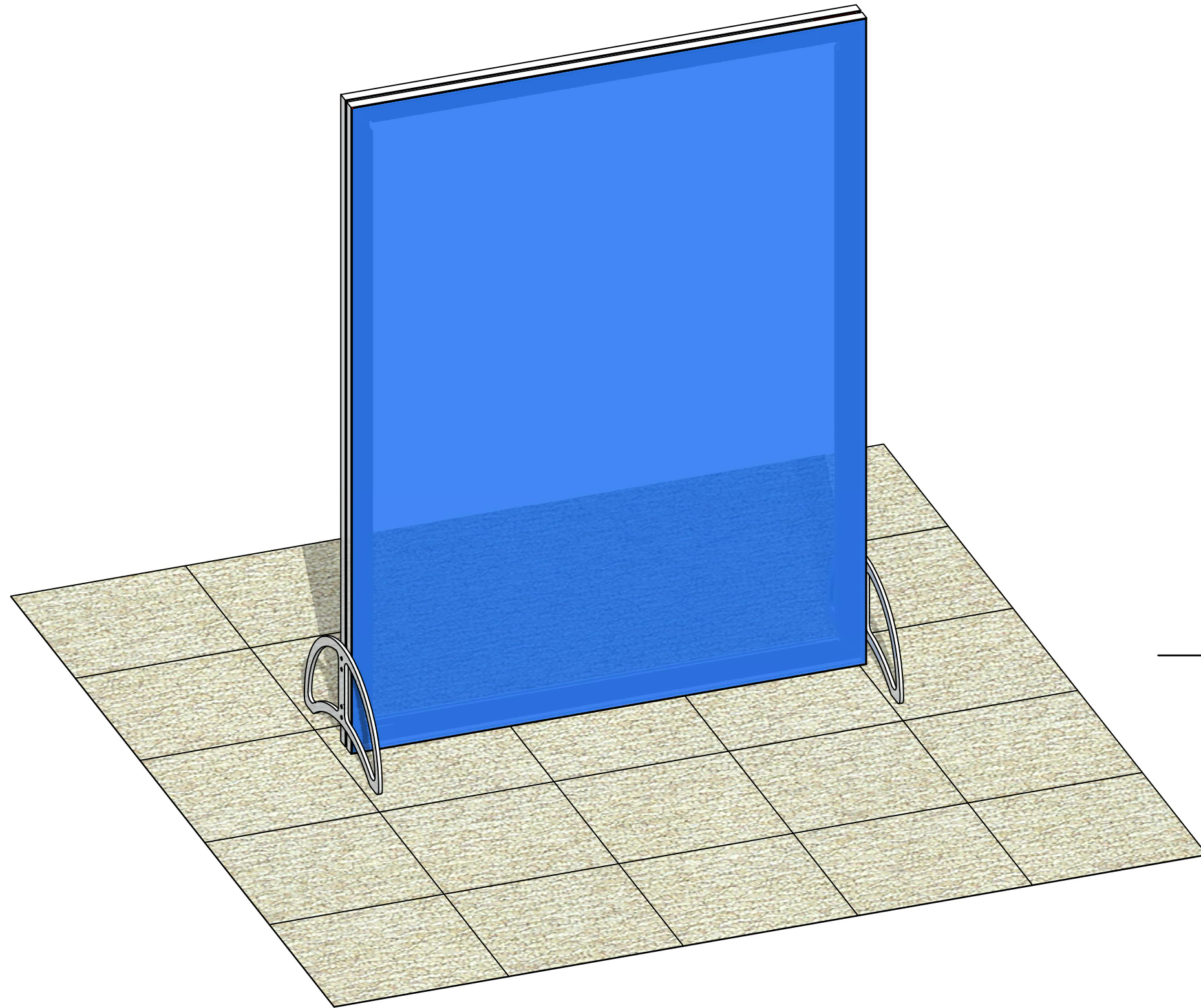


**VECTOR FRAME BANNERS  
RECTANGLE-01**



## SET-UP NOTES

1. Redesign of this exhibit without approval by manufacture may result in dangerous and unsafe structures. The manufacture disclaims any responsibility for redesigned exhibits it does not approve in writing.
2. Parts and components such as panels and extrusions are manufactured to metric sizing. Where ever possible sizes have been noted in feet and inches as well as in metric. Below is the imperial to metric sizing table as reference. "Nominal" refers to approximate size.

### IMPERIAL TO METRIC SIZES

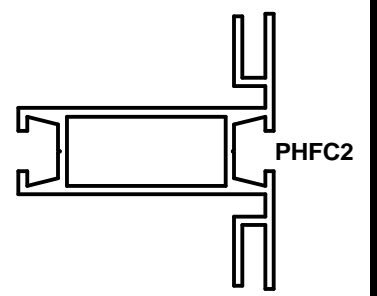
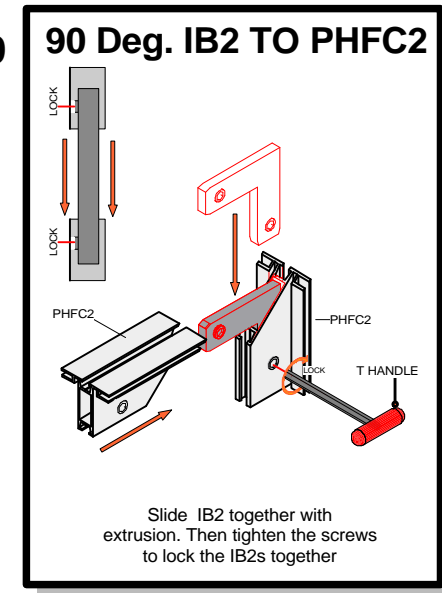
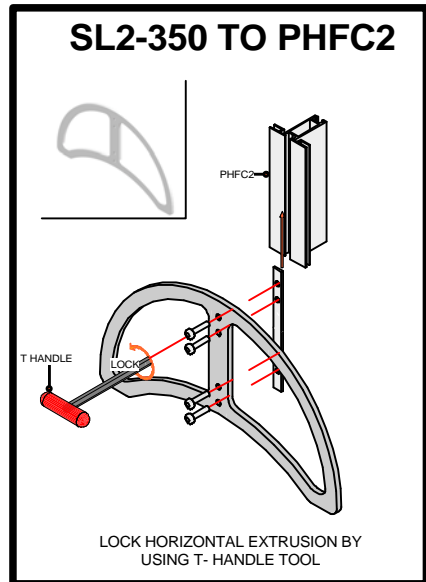
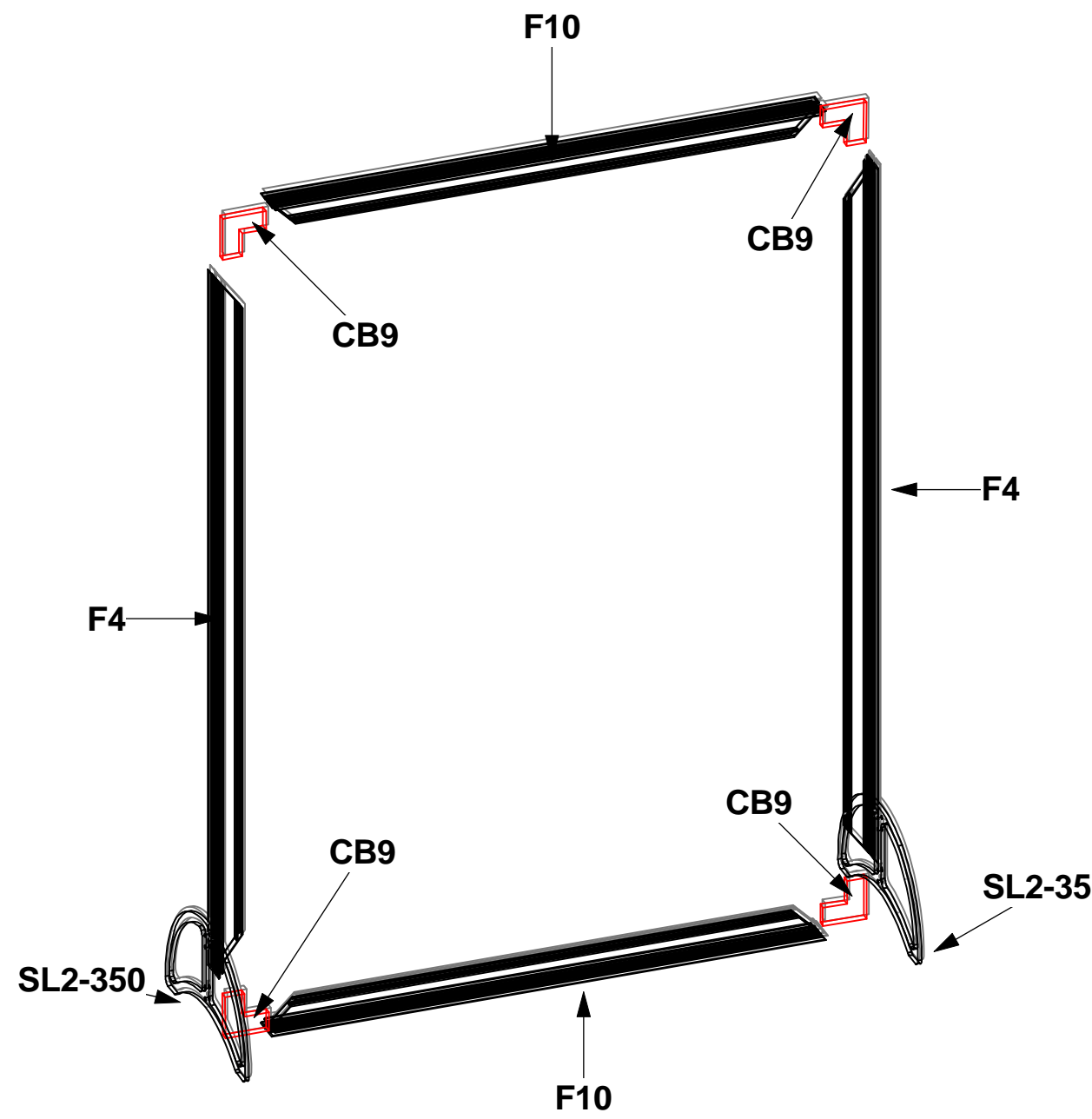
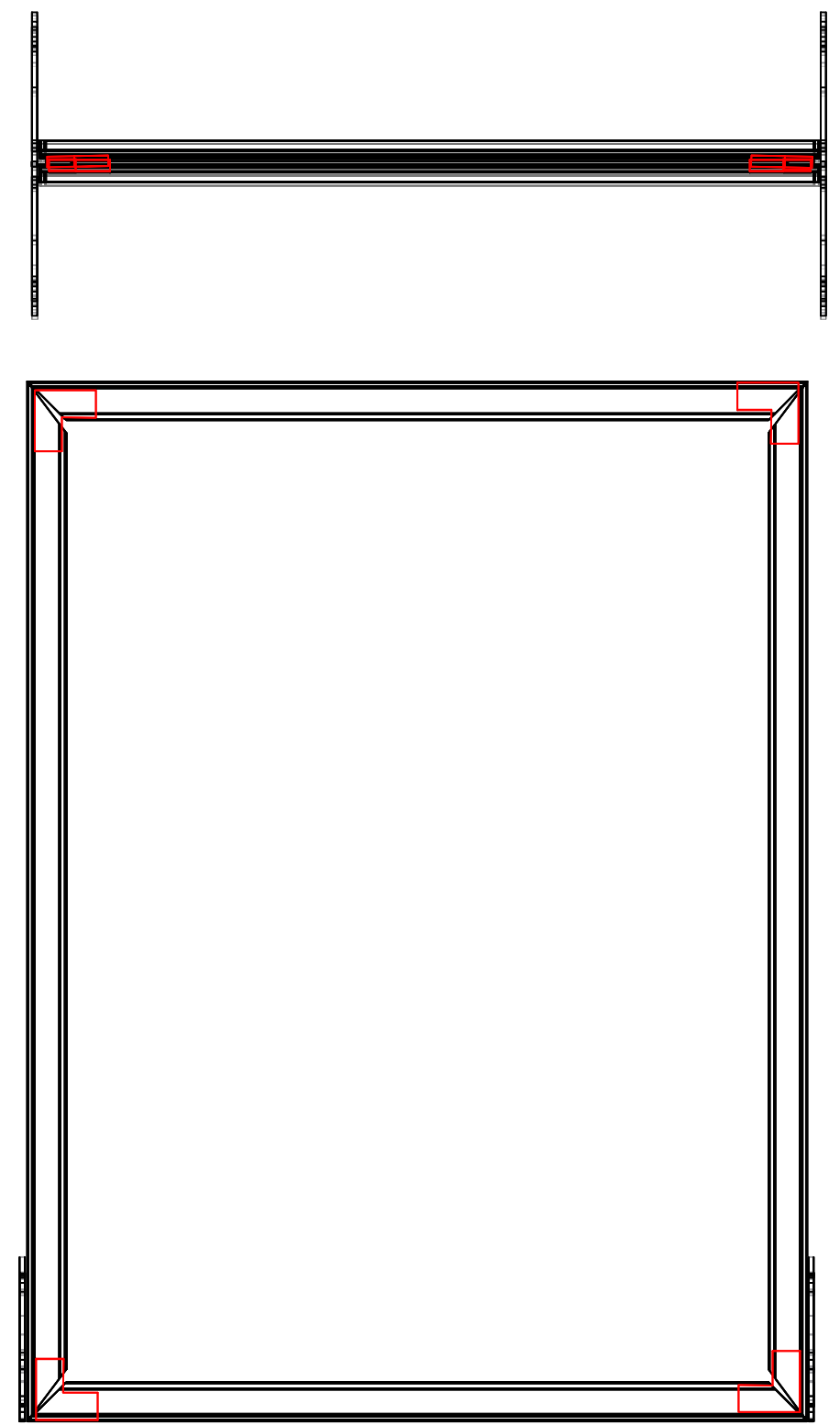
**8' Nominal = 94 1/2" or 2400mm Actual**  
**4' Nominal = 47 1/4" or 1200mm Actual**  
**3' Nominal = 35 7/16" or 900mm Actual**  
**2' Nominal = 23 5/8" or 600mm Actual**  
**1' Nominal = 11 13/16" or 300mm Actual**

Code	#	Description
F10	2	PHFC2-900-1 [35 3/8"] (Mitre / Corner Lock Both ends - No Locks
F4	2	PHFC2-1200-1[47 1/4"] (Mitre / Corner Lock Both ends - No Lock
CB9	4	90 DEGREE CORNER LOCK CONNECTOR
SL2-350	2	Support Leg

1. Redesign of this exhibit without approval by manufacture may result in dangerous and unsafe structures. The manufacture disclaims any responsibility for redesigned exhibits it does not approve in writing.  
 2. Parts and components such as panels and extrusions are manufactured to metric sizing. Where ever possible sizes have been noted in feet and inches as well as in metric. Below is the imperial to metric sizing table as reference. "Nominal" refers to approximate size.

2400mm = (94 1/2")	Phone Line / Fax
2100mm = (82 5/8")	Internet connection
1800mm = (70 7/8")	Outlet
1500mm = (59")	Main Drop (point of distrution)
1200mm = (47 1/4")	
900mm = (35 1/2")	
600mm = (23 5/8")	
300mm = (11 7/8")	

--- Wire running under carpet



## VECTOR FRAME BANNERS

Title: SET-UP INSTRUCTIONS

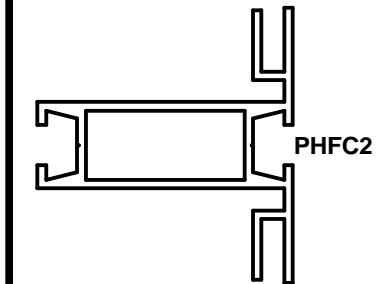
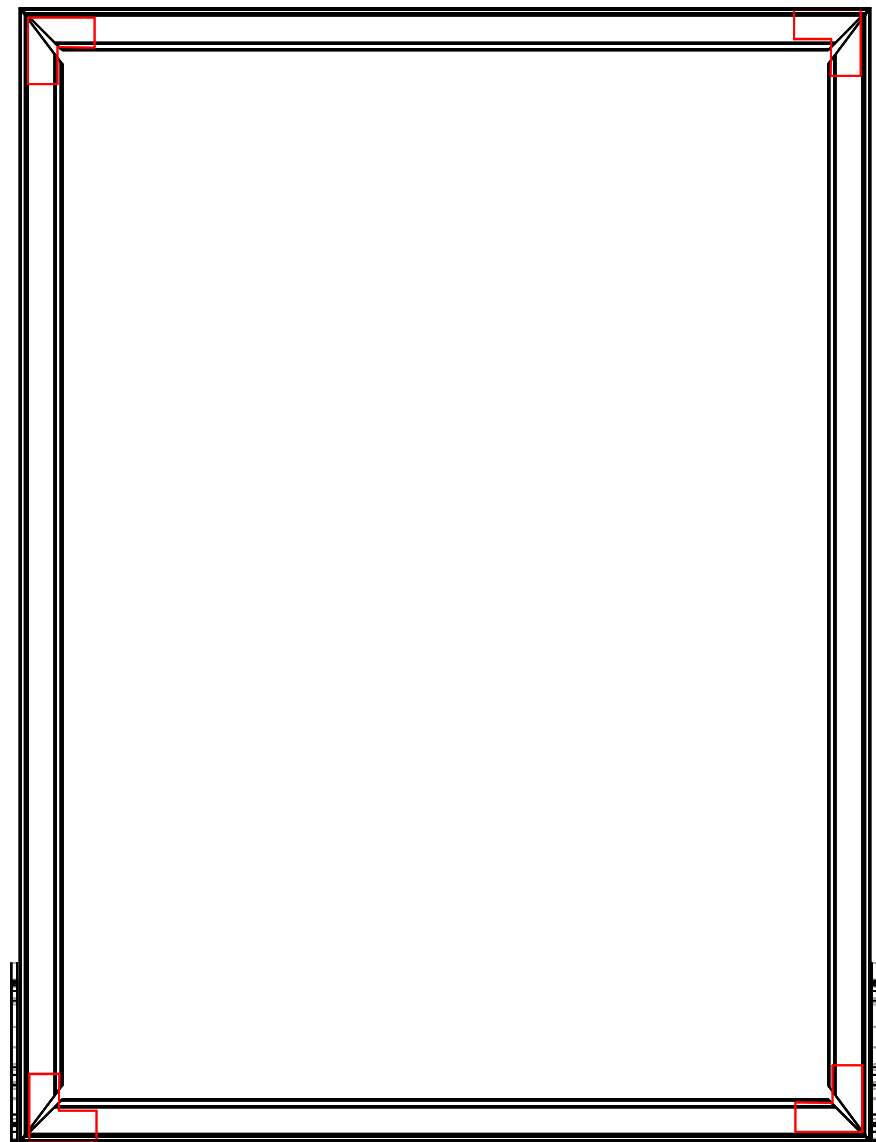
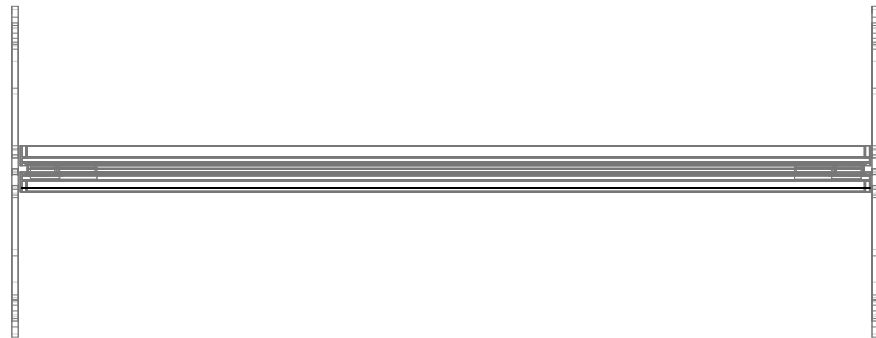
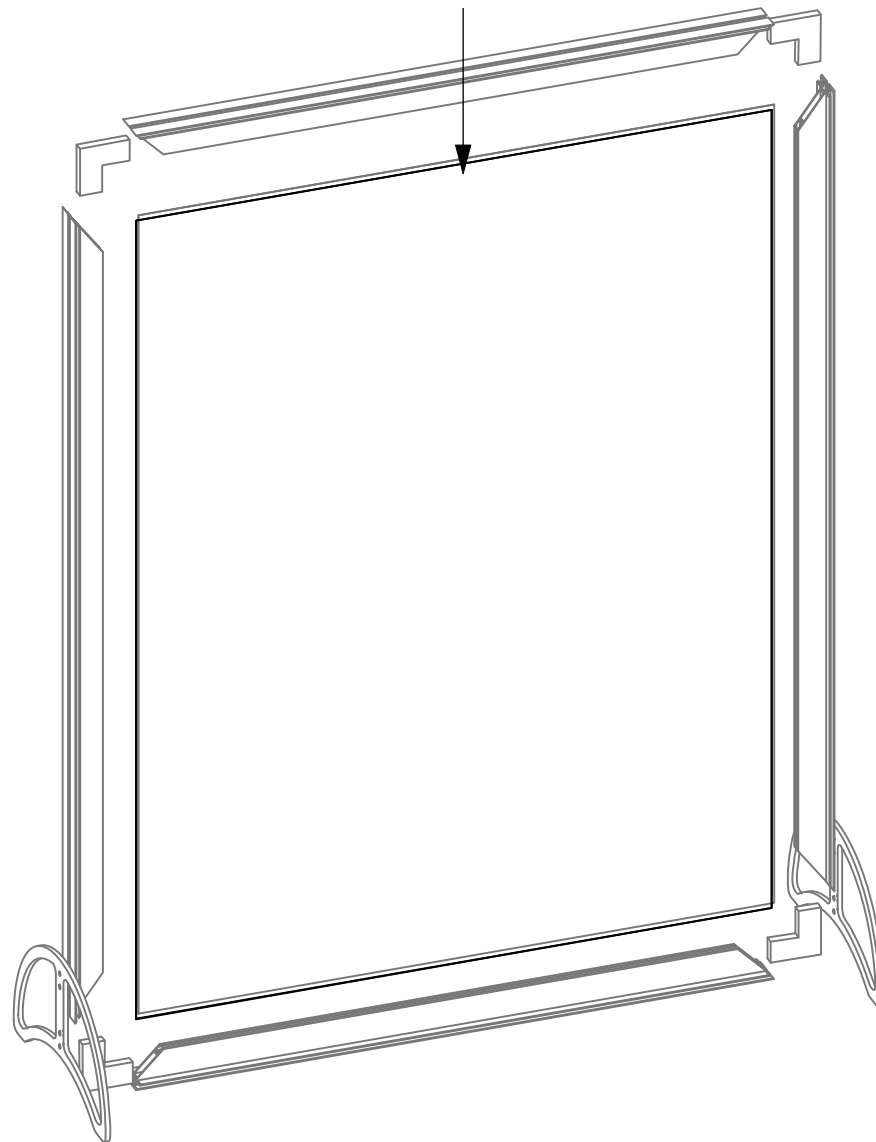
Code	#	Description
SMP-43-G	1	47.25"H X 35.43"W SINGLE SIDED DYESUB GRAPHIC (UNLINED) PRINTED

1. Redesign of this exhibit without approval by manufacture may result in dangerous and unsafe structures. The manufacture disclaims any responsibility for redesigned exhibits it does not approve in writing.  
 2. Parts and components such as panels and extrusions are manufactured to metric sizing. Where ever possible sizes have been noted in feet and inches as well as in metric. Below is the imperial to metric sizing table as reference. "Nominal" refers to approximate size.

2400mm = (94 1/2")	Phone Line / Fax
2100mm = (82 5/8")	Internet connection
1800mm = (70 7/8")	Outlet
1500mm = (59")	Main Drop (point of distrution)
1200mm = (47 1/4")	
900mm = (35 1/2")	
600mm = (23 5/8")	
300mm = (11 7/8")	

--- Wire running under carpet

SMP-43-G



**GRAPHIC WITH FCE-2 TO PHFC2**

Install graphic by pressing the FCE-2 into the top and bottom channels of PHFC2 extrusion. To pull graphics out of the channels use tabs on the front side

**VECTOR FRAME BANNERS**

Title: SET-UP INSTRUCTIONS