

Lightning

Lightweight and easy to use, the Lightning is a good all around tension back banner stand. Snap lock graphic rails make changing the graphic fast and simple. The lightning comes complete with a budget carry bag.



Features and Benefits

- Quick to assemble and easy to use
- Lightweight aluminium components
- Snap frame rails enable easy graphic changes
- Three piece bungee pole
- Includes carry bag
- Comes in anodized silver

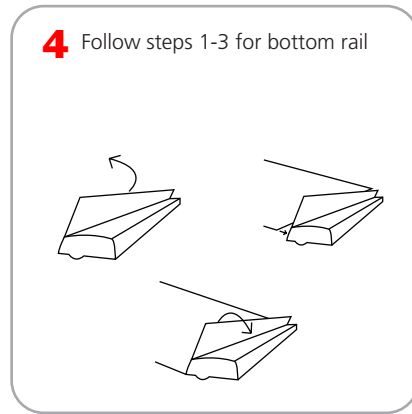
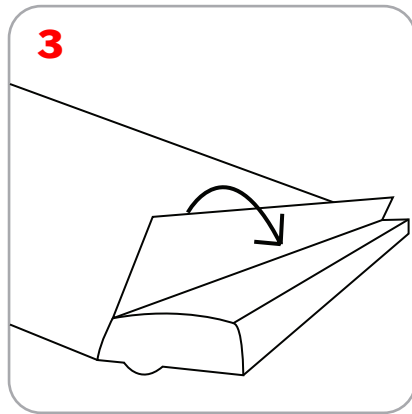
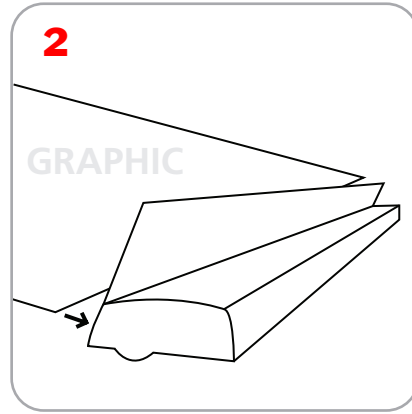
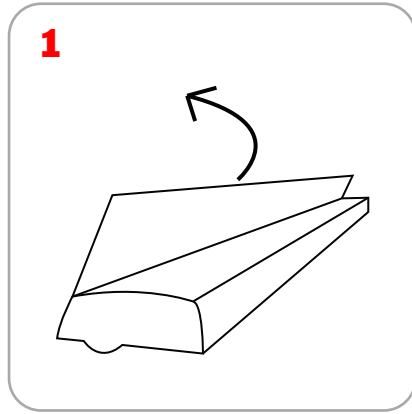
Dimensions

| Hardware Dimensions | Graphic Dimensions |
|--|---|
| Base Dimensions:: 2.5"(h) x 31.625"(w) x 20.25"(d) approx. 63.5mm(h) x 803.275mm(w) x 514.35mm(d) approx. | Graphic Dimensions: 31" w x 77" h 787.4mm w x 1955.8mm h |
| Pole Height: 80.5" (2044.7mm) | |
| Weight: 3.65 lbs (1.66 kg) (including carry bag) | |

Additional Information

| | |
|---|--|
| Shipping Dimensions: 35" x 6" x 6" 889mm x 152.4mm x 152.4mm | Graphic: Add 1/2" bleed to top and 1/2" (12.7mm) bleed to base of graphic |
| Shipping Weight: 6 lbs / 2.72kg | Recommended substrate: 13 oz. smooth vinyl or 7 oz. light cotton |
| | Included in Kit: Base rail, top rail, bungee pole and carry bag |

Lightning Graphic Attachment



Lighting Assembly

