

Freedom

FRDM-800/1000

The Freedom is a stylized retractable banner stand with a sleek base. This easy to use, affordable stand comes in multiple sizes and includes a bag for easy transport.



We are continually improving and modifying our product range and reserve the right to vary the specifications without prior notice. All dimensions and weights quoted are approximate and we accept no responsibility for variance. E&OE. See Graphic Templates for graphic bleed specifications.

features and benefits:

- Comes complete with base, snap top rail, three piece bungee poles and carry bag
- Two sizes to choose from: 800 and 1000mm wide
- Anodized silver finish
- Carry bag included
- 90 day hardware warranty against manufacturer defects

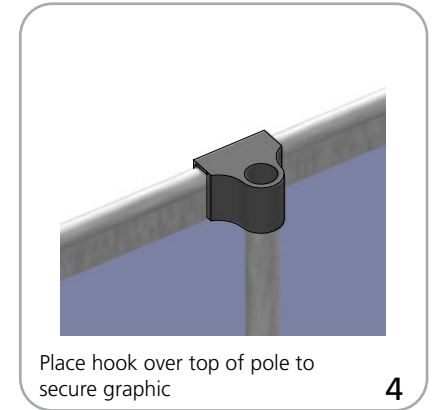
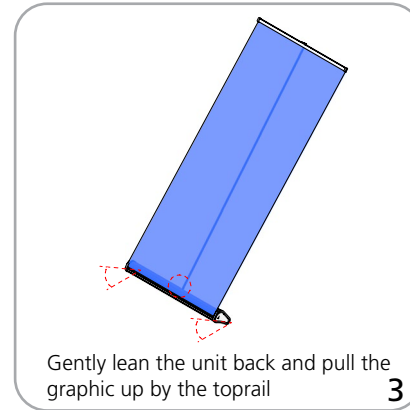
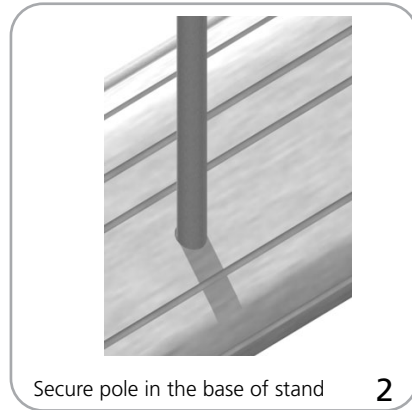
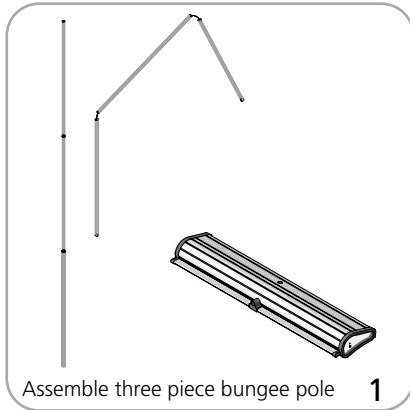
dimensions:

Hardware	Graphic
<p>Assembled unit: 800mm: 32.75" w x 6.625" d x 82.75" h 832mm(w) x 168mm(d) x 2102mm(h)</p> <p>1000mm: 40.625" w x 6.625" d x 82.75" h 1032mm(w) x 168mm(d) x 2102mm(h)</p>	<p>Visible dimensions: 800mm: 31.5" w x 79.25" h 800mm(w) x 2013mm(h)</p> <p>1000mm: 39.25" w x 79.25" h 1000mm(w) x 2013mm(h)</p> <p>Refer to related graphic template for more information</p>
<p>Shipping</p> <p>Shipping dimensions - ships in one box 800mm: 35" l x 9" w x 6" h 889mm(l) x 229mm(w) x 152mm(h)</p> <p>1000mm: 42" l x 9" w x 6" h 1067mm(l) x 229mm(w) x 152mm(h)</p> <p>Approximate shipping weight: 800mm: 11lbs/5kg 1000mm: 13lbs/6kg</p>	<p>WARNING: Always attach graphic to base and top rail before removing the locking pin. After fitting, the graphic should be left for 24 hours before use to ensure the adhesive bonds sufficiently. Opening the base will invalidate the product warranty.</p>

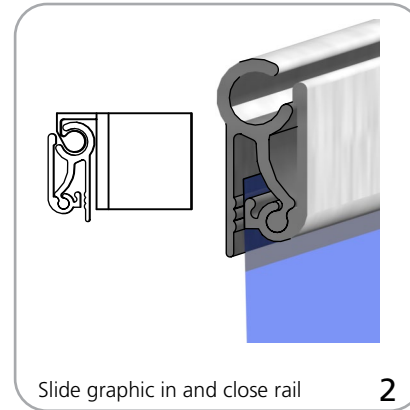
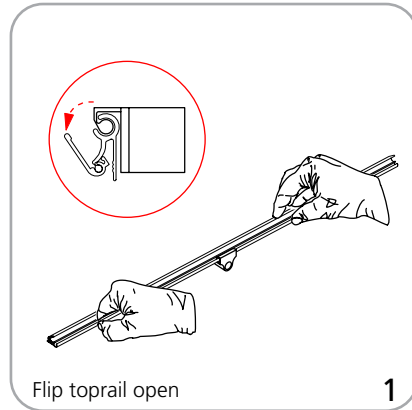
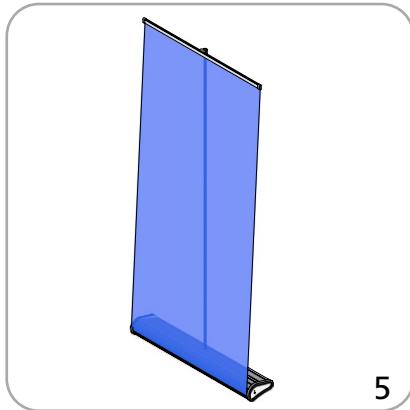
additional information:

- | | |
|--|---|
| <p>Graphic materials:
 13 oz flatmaxx vinyl or 7 oz dye-sub cotton</p> | <p>Optional OCB hard shipping case fits one Freedom banner stand</p> <p>Lumina 2 banner lighting option available</p> |
|--|---|

Set-Up



Top Rail



Bottom Graphic Attachment

