

Essential Banner - Straight 920mm

FMLT-ESS-S-920

Formulate™ Essential banner displays feature basic tubulaer frames coupled with pillowcase fabric graphics. The economy tube frames come with a one year limited warranty. Simply pull the graphic over the frame.



features and benefits:

- Straight aluminum tube frame
- Easy to store and ship
- Quick to set up
- Pillowcase fabric graphic
- Carry bag included
- Bungee cords for easy assembly
- One year limited hardware warranty against manufacturer defects

dimensions:

Hardware	Graphic
<p>Assembled unit: 38.19" w x 94.88" h x 17.72" d 970mm(w) x 2410mm(h) x 450mm(d)</p> <p>Approximate weight with cases: 16 lbs / 7.3 kg</p>	<p>Please be sure to include a 2" bleed around the perimeter.</p> <p>Refer to related graphic template for more information.</p> <p>Visit: www.exhibitors-handbook.com/graphic-templates</p>
<p>Shipping</p> <p>Packing case(s): 1 carry bag</p> <p>Shipping dimensions: 49" l x 13" w x 13" h 1245mm(l) x 330mm(w) x 330mm(h)</p> <p>Approximate total shipping weight (includes cases & graphics): 20 lbs / 9.1 kg</p>	

additional information:

Graphic material:
dye-sublimated slip-over graphics

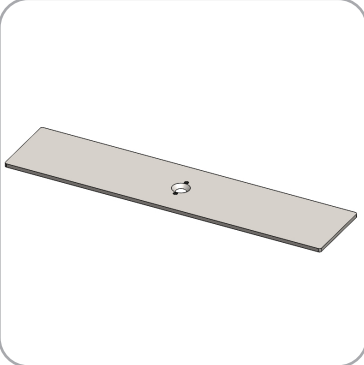
We are continually improving and modifying our product range and reserve the right to vary the specifications without prior notice. All dimensions and weights quoted are approximate and we accept no responsibility for variance. E&OE. See Graphic Templates for graphic bleed specifications.

Included In Your Kit

Hardware



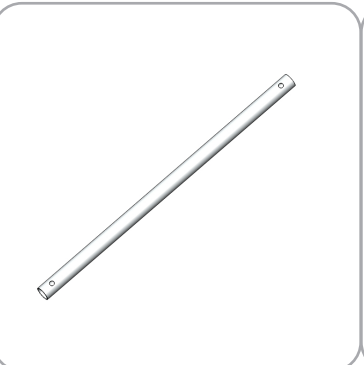
6MM HEX KEY x1



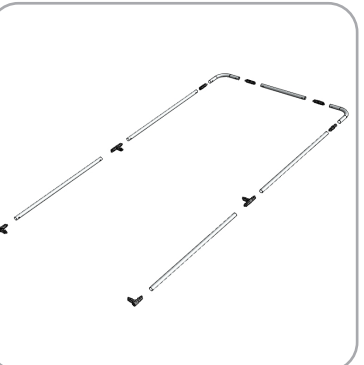
LN114-S2-450 x2



LN114-SCRW x2

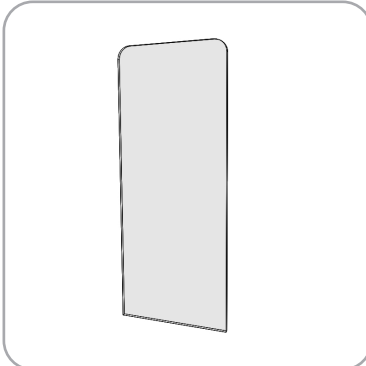


ESS-SPREADER-LS-920-S x2



Bungee Assembly x1

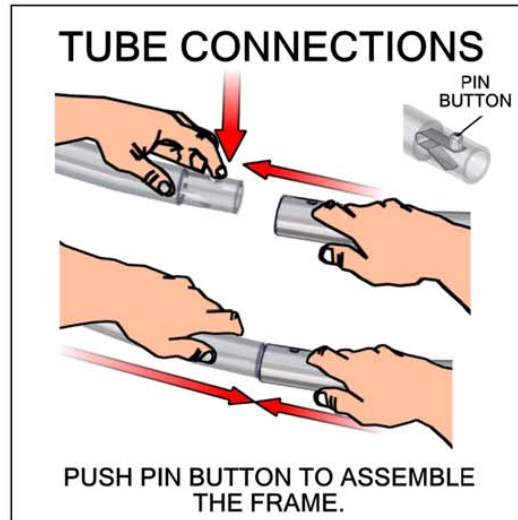
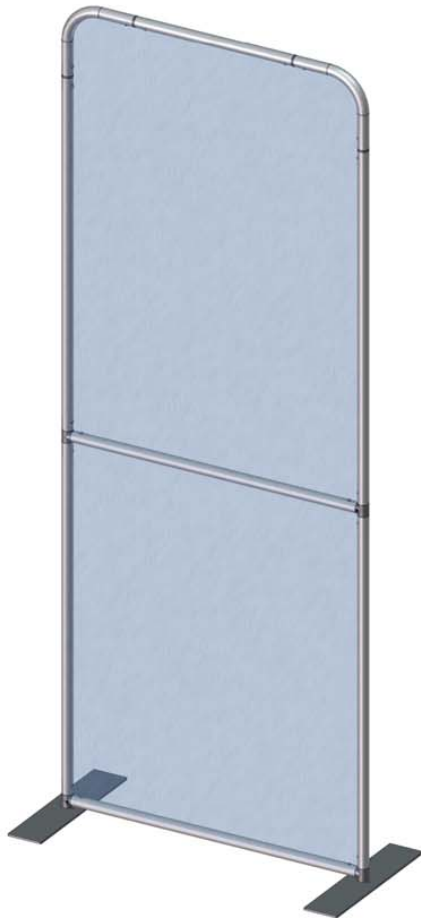
Graphics



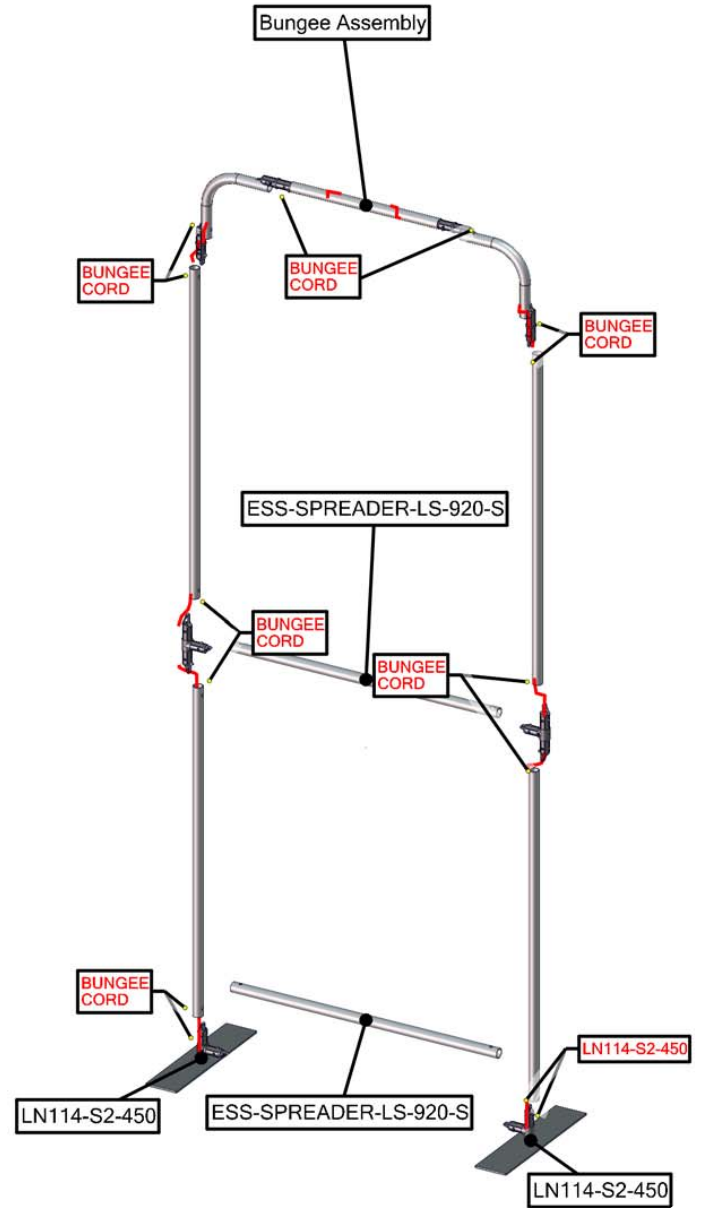
FMLT-ESS-S-920-G x1

PART CODE	QTY	DESCRIPTION
ESS-S-T1	4	30MM SIDE TUBE 1 FOR STRAIGHT BANNERS
ESS-S-T2	2	30MM CURVED CORNER TUBE 2 FOR STRAIGHT BANNERS
ESS-SPREADER-LS-920-S	2	30MM LONG SPREADER FOR 920 CONFIGURATION
ESS-SPREADER-SS-920-S	1	30MM SHORT SPREADER FOR 920 CONFIGURATION
TC-30-S	4	TC-30-S ASSEMBLY
TC-30-T	2	TC-30-T ASSEMBLY
TC-30-90B	2	TC-30-90B ASSEMBLY
LN114-S2-450	2	LINEAR FOOT WITH COUNTERSUNK HOLES
LN114-SCRW	2	M10X45MM SOCKET FLAT CAP SCREW, BLACK FINISH ALLOY STEEL
FMLT-ESS-S-920-G	1	FMLT-ESS-S-920-G
6MM HEX KEY	1	6MM HEX KEY

FMLT-ESS-S-920



OVERHEAD VIEW

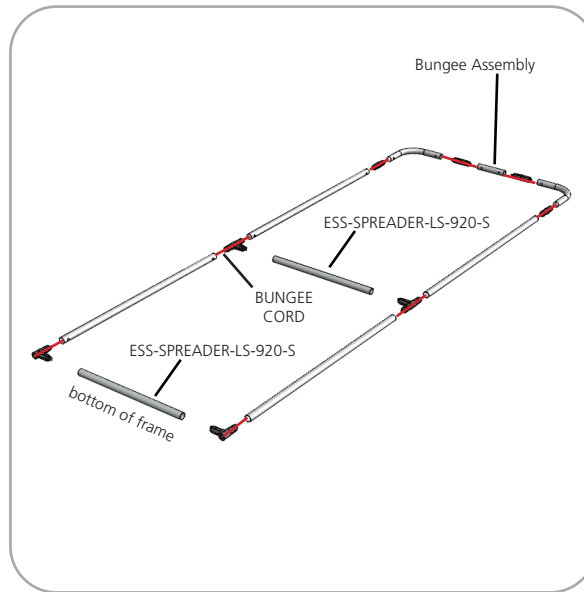


Kit Assembly

Step by Step

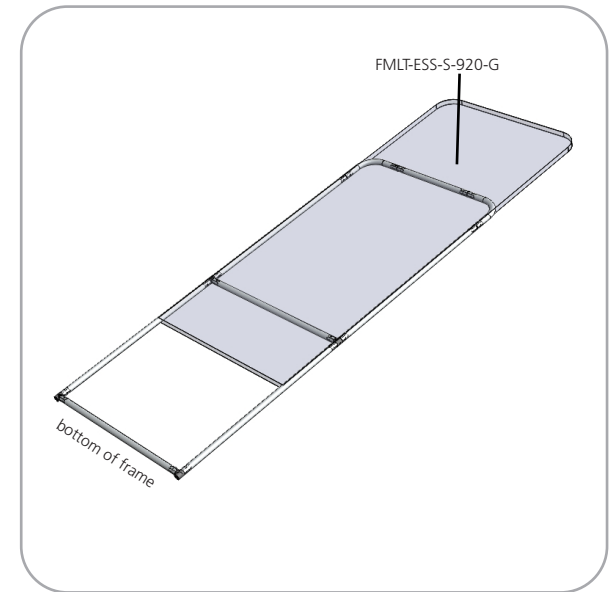
Step 1.

Assemble the bungee frame.
Attach the long spreaders.



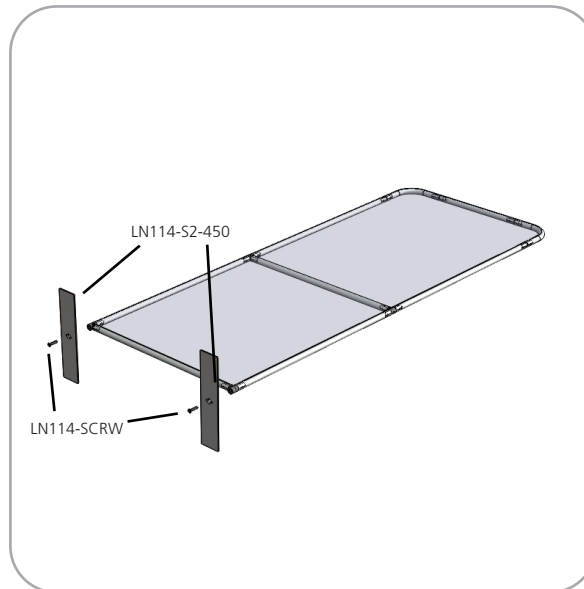
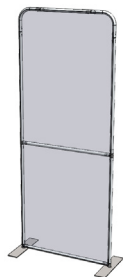
Step 2.

Slip the graphic over the frame.



Step 3.

Attach the stabilizing bases.



Step 4.

Setup is complete.

