

# Formulate Essential Cobra

## FMLT-ESS-COBRA

Formulate™ Essential Cobra is a single or double-sided fabric banner stand. Simply connect the basic lightweight aluminum tube frame, slip the fabric graphic on and you have a sleekly serpentine-curved stand in minutes.



## features and benefits:

- **NEW**
- Single or double-sided
- Easy to store and ship
- Quick to set up
- Kit includes: one frame, pillowcase zipper fabric graphic, and canvas carry bag
- One year limited hardware warranty against manufacturer defects

## dimensions:

Hardware	Graphic
<p>Assembled unit: 36.25" w x 89.5" h x 34.5" d 920.75mm(w) x 2273.3mm(h) x 876.3mm(d)</p> <p>Approximate weight: 13.5 lbs / 6.1 kgs</p>	<p>Total visual area: 36.5" w x 96" h 927mm(w) x 2438.4mm(h)</p> <p>Please be sure to include a 2" bleed around the perimeter.</p> <p>Refer to related graphic template for more information.</p>
<p>Shipping</p> <p>Shipping dimensions: 37" l x 22.75" w x 9" h 940mm(l) x 578mm(w) x 229mm(h)</p> <p>Approximate shipping weight: 15 lbs / 6.8 kgs</p>	<p>Visit: <a href="http://www.exhibitors-handbook.com/graphic-templates">www.exhibitors-handbook.com/graphic-templates</a></p>

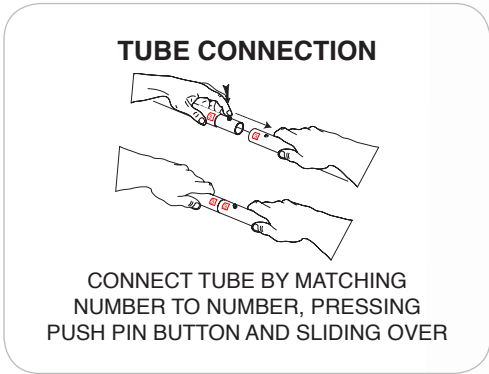
## additional information:

Graphic material:  
dye-sublimation zipper pillowcase fabric

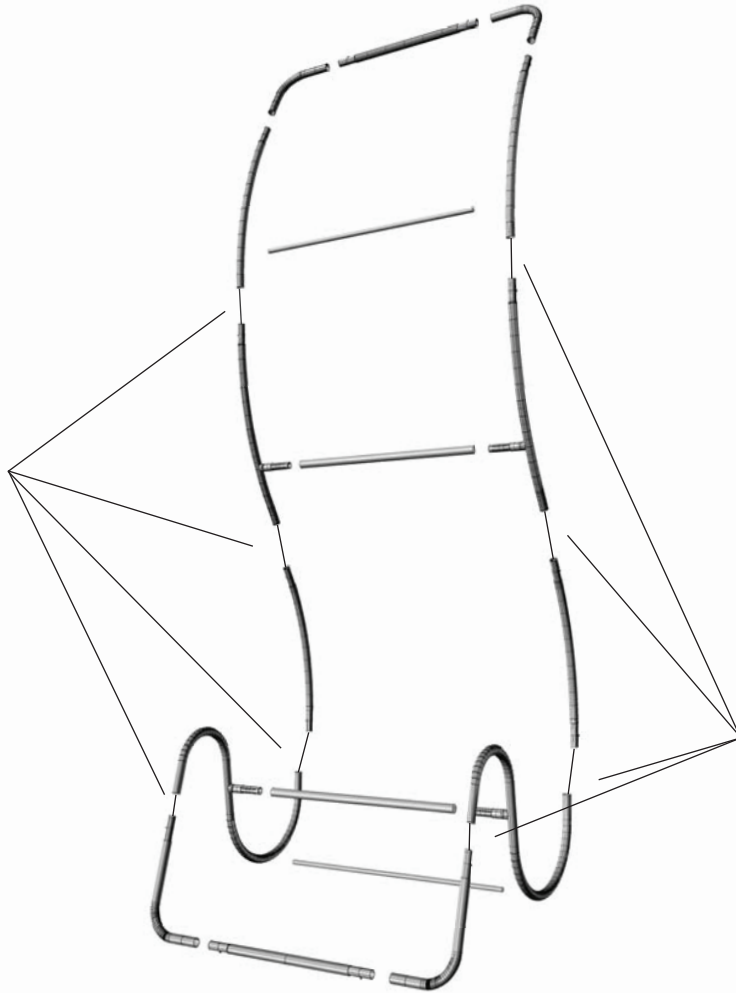
We are continually improving and modifying our product range and reserve the right to vary the specifications without prior notice. All dimensions and weights quoted are approximate and we accept no responsibility for variance. E&OE. See Graphic Templates for graphic bleed specifications.

**Assembly:**

Assemble unit by laying tubes flat on the floor. Connect the bungee tube rails by pressing the push snap buttons in and sliding over (see drawing below) following the number labels listed, T1 to T1, T2 to T2 and so on.

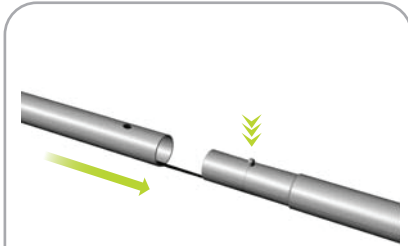


**BUNGEE-CORD**

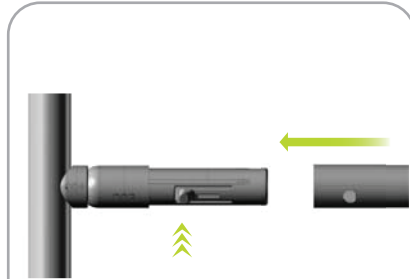


**BUNGEE-CORD**

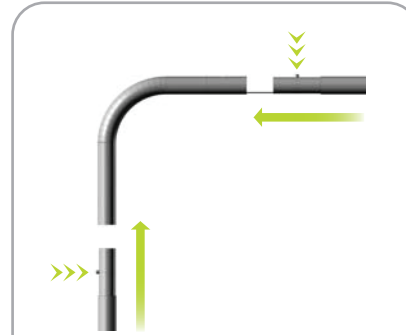
## STEP 1: ASSEMBLE FRAME



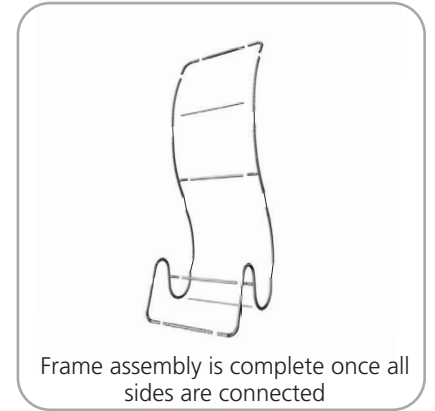
Connect bungee tubes by lining up holes with snap buttons



Connect bungee tubes by lining up holes with snap buttons

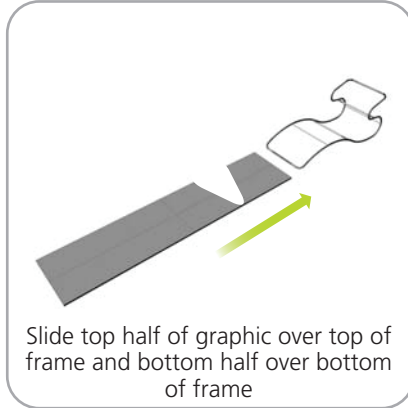


Connect corners of frame by lining up holes with snap buttons

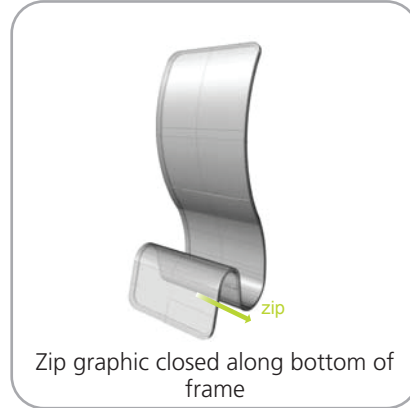


Frame assembly is complete once all sides are connected

## STEP 2: ATTACH GRAPHIC



Slide top half of graphic over top of frame and bottom half over bottom of frame



Zip graphic closed along bottom of frame