

Coyote

The Coyote popup display system combines strength, reliability, and style in a lightweight and easy to use system. It is fully magnetic, making it simple to assemble and disassemble, and is available in a wide range of sizes and configurations.



Features and Benefits

- Quick to set up
- Easy to store and ship
- LED lighting available
- Single or double sided
- Collapses to a fraction of its size
- Molded case for easy transportation
- Able to accommodate a variety of accessories
- Available in curved or straight configuration along with several standard shapes

Display Dimensions

See pages 1 & 2

Heights:

1 Quad: 30.625" / 777.875mm

2 Quad: 59.375" / 1508.125mm

3 Quad: 87.5625 / 2224.08mm

Additional Information

Shipping Dimensions:

18" x 27.75" x 39.25" / 457.2mm x 704.85mm x 996.95mm

Ships in OCP Case

Graphics:

If printing own graphics, magnet must go directly to edge of panel

Weight: Varies per kit

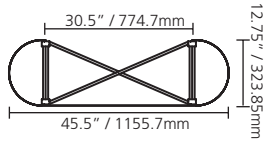
Available Options (all can be added to existing Coyote):

- Case to Counter conversion (roll or stretch wrap)
- Bubble Panel
- Internal Shelf Kit
- Monitor Stand

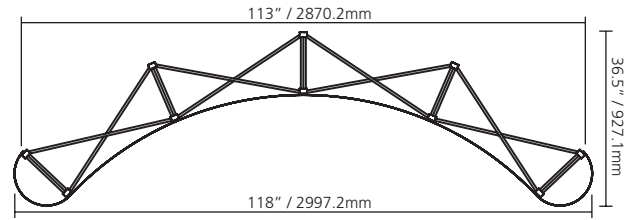


We are continually improving and modifying our product range and reserve the right to vary the specifications without prior notice. All dimensions and weights quoted are approximate and we accept no responsibility for variance. E&OE. See Graphic Templates for graphic bleed specifications.

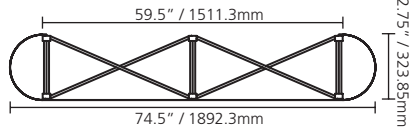
1x1, 1x3 STRAIGHT



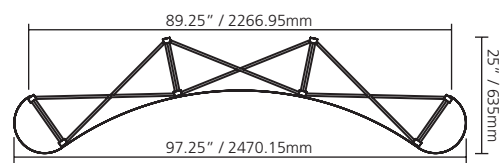
4x3 CURVED



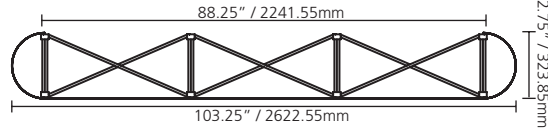
2x1, 2x2, 2x3 STRAIGHT



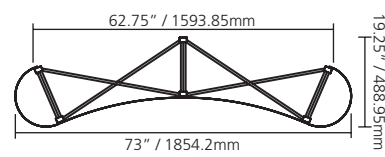
3x1, 3x2, 3x3 CURVED



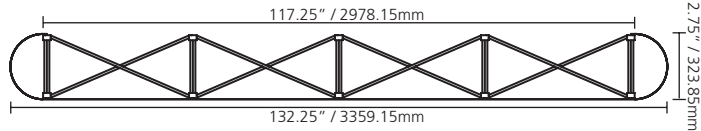
3x1, 3x2, 3x3 STRAIGHT



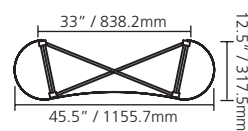
2x1, 2x2, 2x3 CURVED



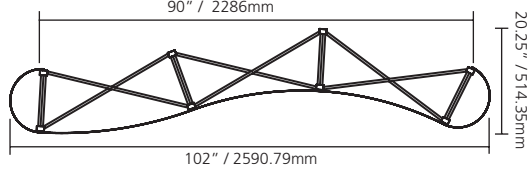
4x3 STRAIGHT



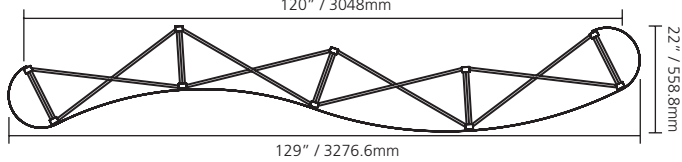
1x1, 1x3 CURVED



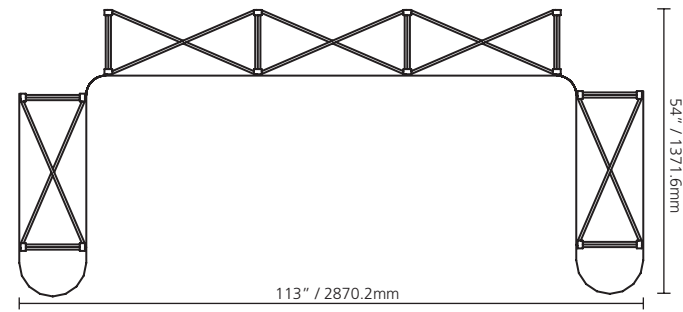
8' SERPENTINE



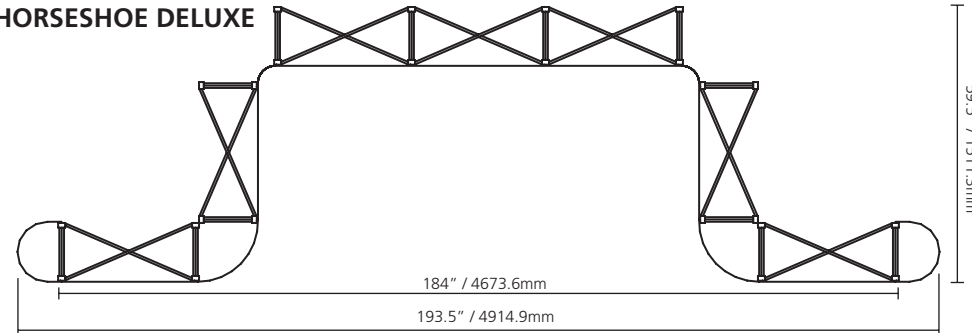
10' SERPENTINE



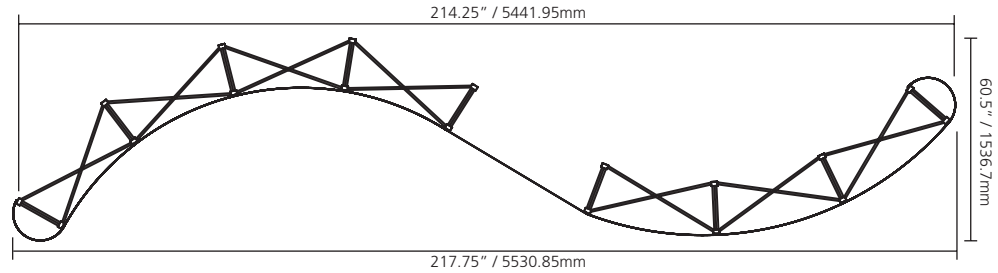
HORSESHOE STANDARD



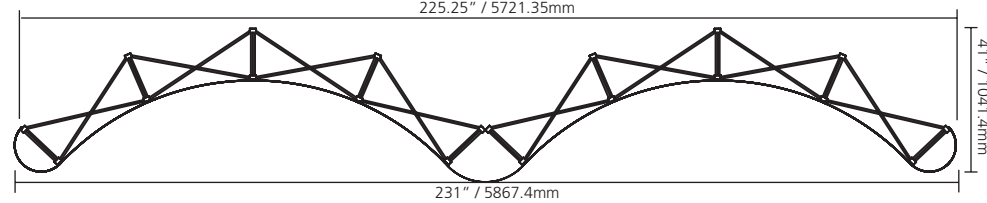
HORSESHOE DELUXE



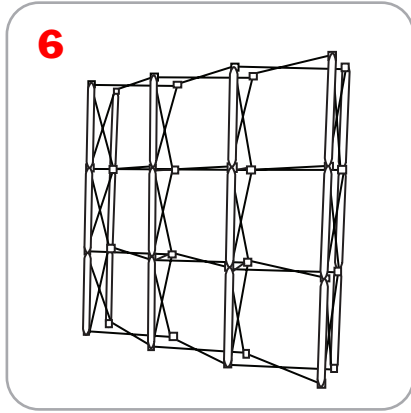
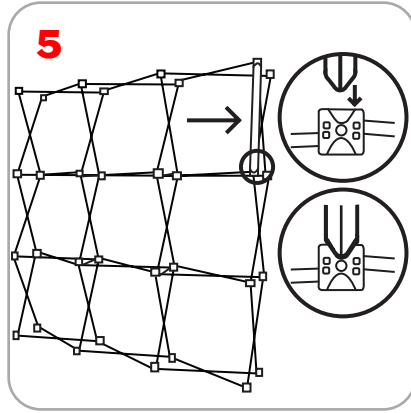
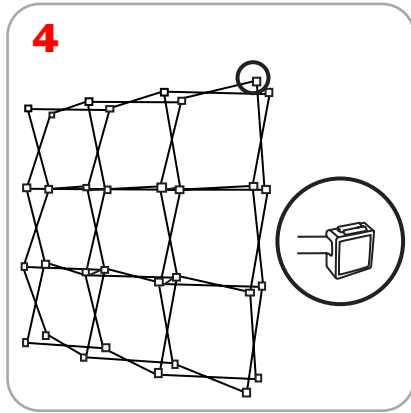
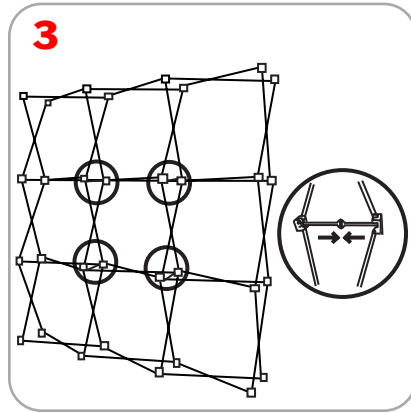
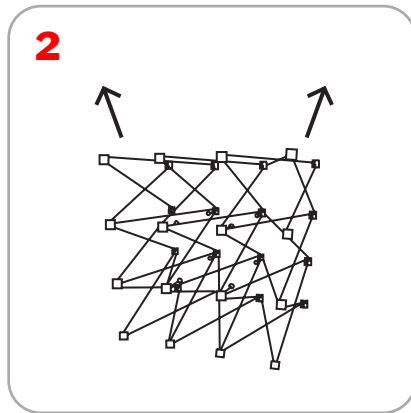
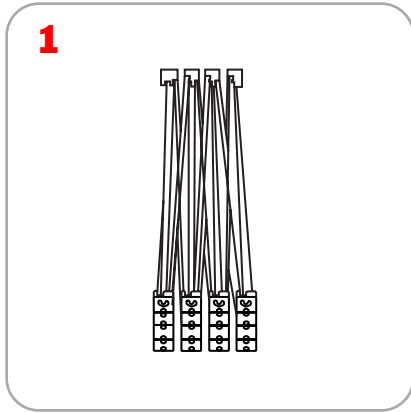
20' SERPENTINE



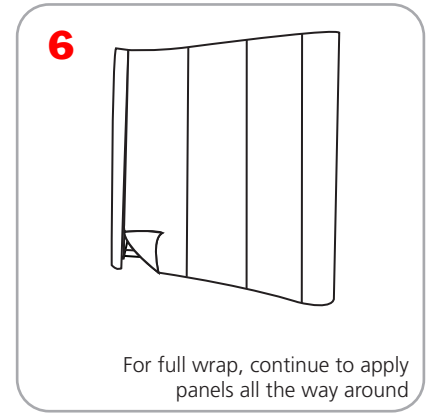
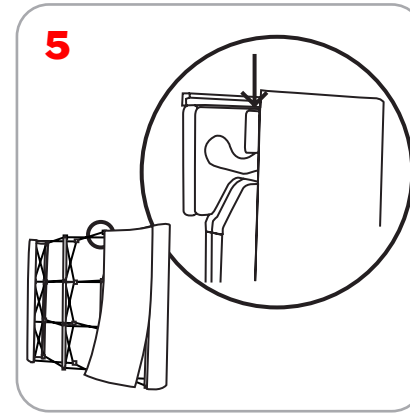
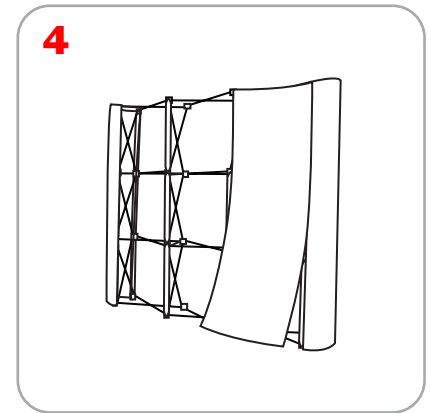
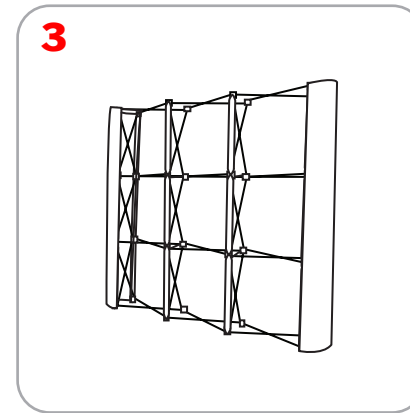
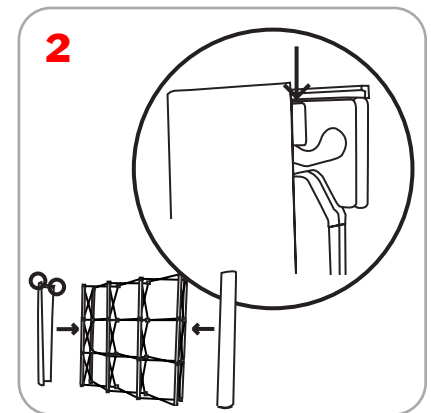
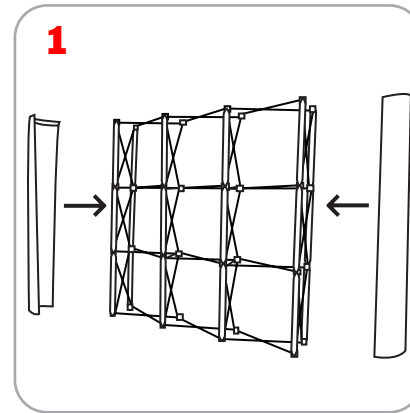
GULLWING



Frame Assembly

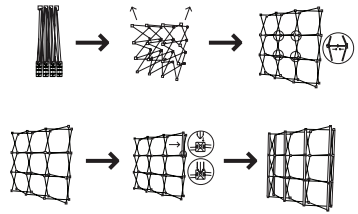


Graphic Application

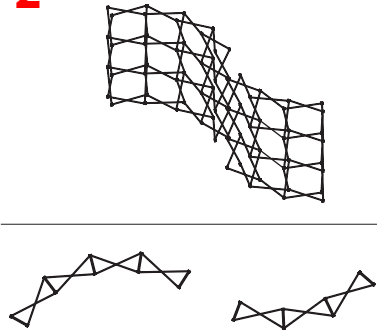


Serpentine

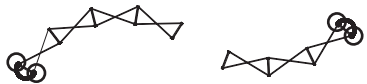
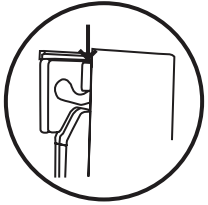
1 Assemble frames
See pg. 3 Steps 1-6



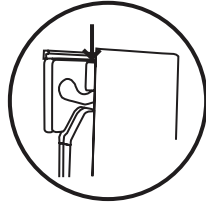
2



3 Apply Endcaps



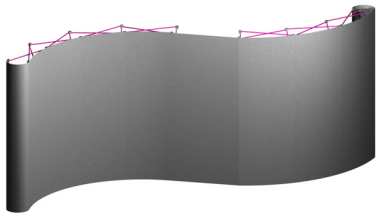
4



5 Apply Graphics
See pg. 4 Steps 4-6

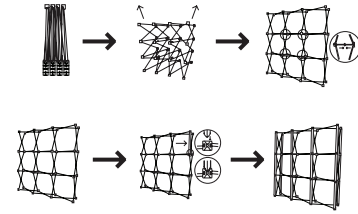


6

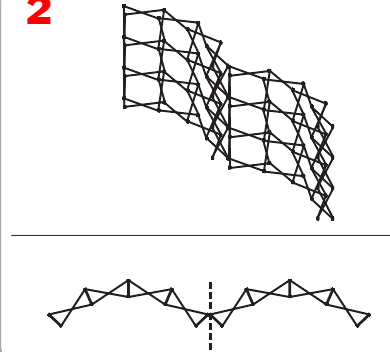


Gullwing

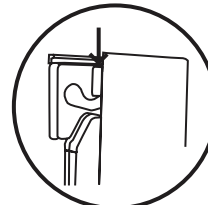
1 Assemble frames
See pg. 3 Steps 1-6



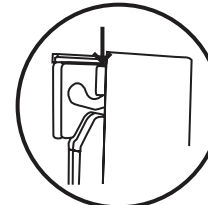
2



3 Apply Endcaps



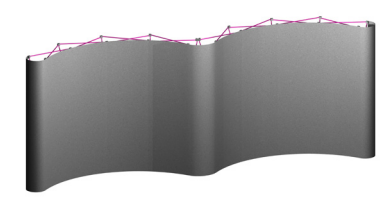
4



5 Apply Graphics
See pg. 4 Steps 4-6

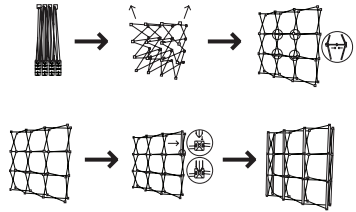


6

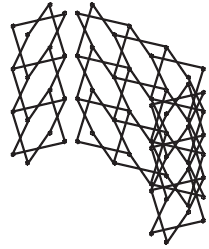


Horseshoe Standard

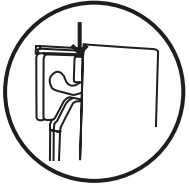
- 1** Assemble frames
See pg. 3 Steps 1-6



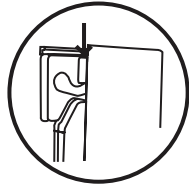
2



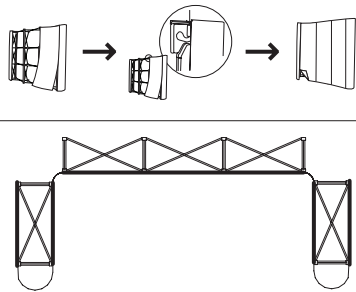
- 3** Apply endcaps



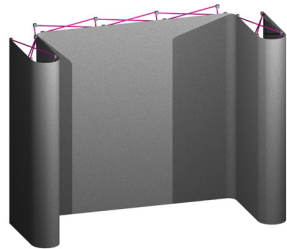
4



- 5** Apply Graphics
See pg. 4 Steps 4-6

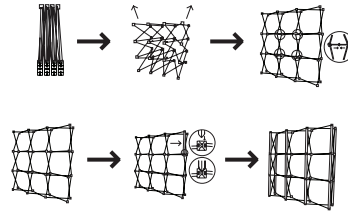


6

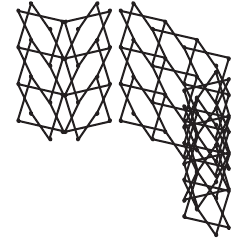


Horseshoe Deluxe

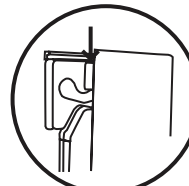
- 1** Assemble frames
See pg. 3 Steps 1-6



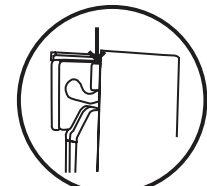
2



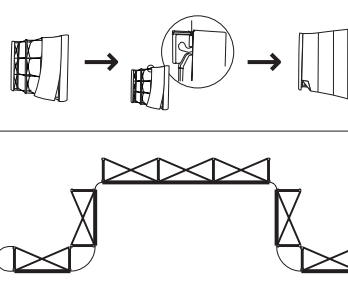
- 3** Apply Endcaps



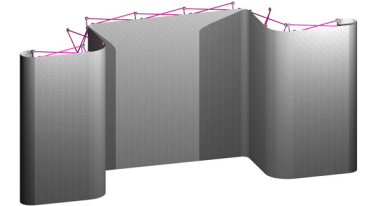
4



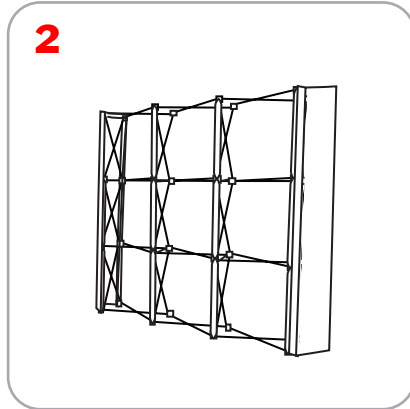
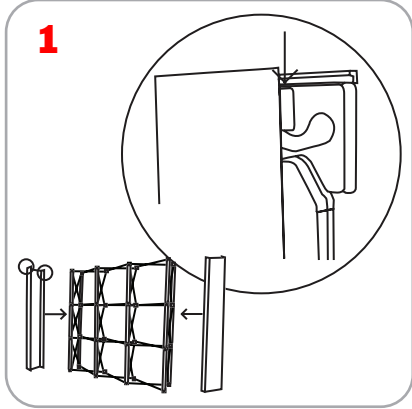
- 5** Apply Graphics
See pg. 4 Steps 4-6



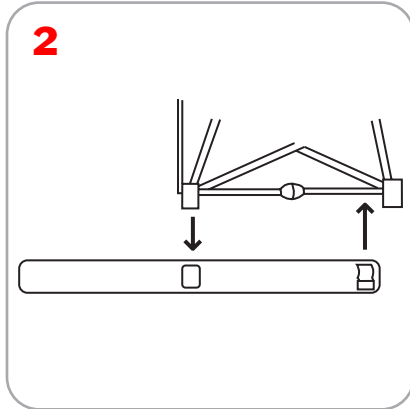
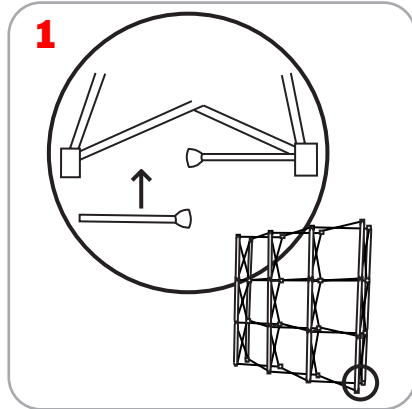
6



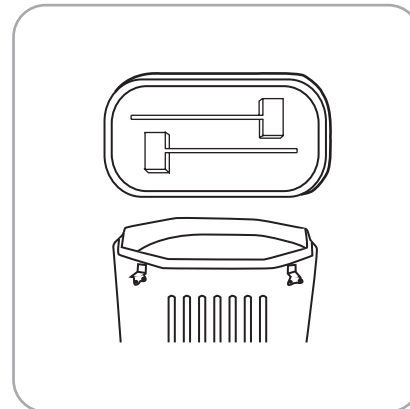
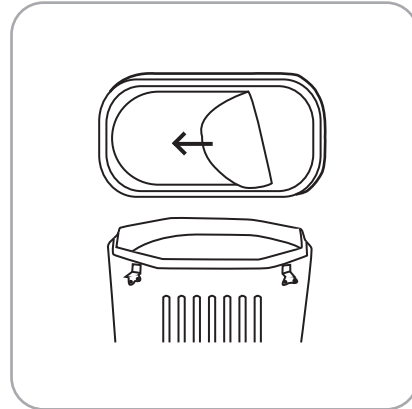
Flat Endcap Application



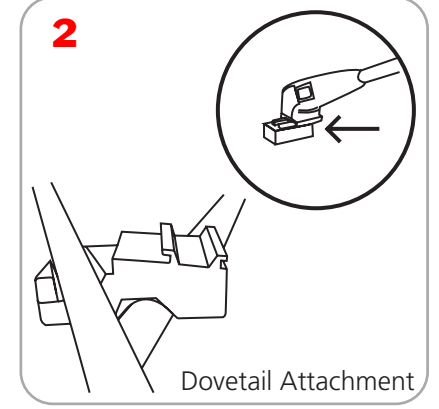
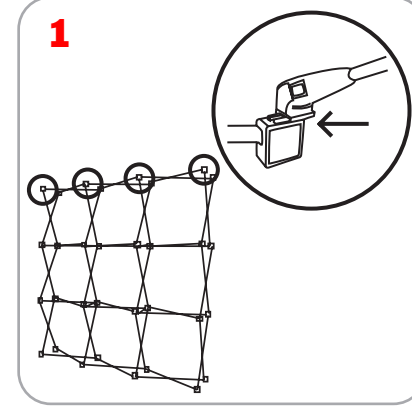
Stabalizer Feet



Light Location



Lights



Graphic Dimensions

Panel	inches	Graphic Size	millimeters
Front Curved	26.5"w x 87.5625"h	673.09mm w x 2224.09mm h	
Rear Curved	31.75"w x 87.5625"h	806.45mm w x 2224.09mm h	
Endcap Curved	23.5"w x 87.5625"h	596.9mm w x 2224.09mm h	
Endcap Flat	12.5"w x 87.5625"h	381mm w x 2224.09mm h	
Straight	28.875"w x 87.5625"h	733.43mm w x 2224.09mm h	
Connector (custom)	23.5"w x 87.5625"h	596.9mm w x 2224.09mm h	
Connectors	inches	millimeters	
Serpentine	28.875w x 87.5625"h	733.43mm w x 2224.09mm h	
Horseshoe	10"w x 87.5625"h	254mm w x 2224.09mm h	
Gullwing	24.5w x 87.5625"h	622.3mm w x 2224.09mm h	
2/3 Height Panels	inches	millimeters	
Front Curved	26.5"w x 59.375"h	673.09mm w x 1508.13mm h	
Rear Curved	31.75"w x 59.375"h	806.45 w x 1508.13mm h	
Endcap Curved	23.5"w x 59.375"h	596.9mm w x 1508.13mm h	
Endcap Flat	12.5"w x 59.375"h	381mm w x 1508.13mm h	
Straight	28.875"w x 59.375"h	733.43mm w x 1508.13mm h	
1/3 Height Panels	inches	millimeters	
Front Curved	26.5"w x 30.625"h	673.09mm w x 777.88mm h	
Rear Curved	31.75"w x 30.625"h	806.45mm w x 777.88mm h	
Endcap	23.5"w x 30.625"h	596.9mm w x 777.88mm h	
Endcap Flat	12.5"w x 30.625"h	381mm w x 777.88mm h	
Straight	28.875"w x 30.625"h	733.43mm w x 777.88mm h	