

# Contender

The Contender has become a market leader proving its dependability time after time. A good all around work horse, the Contender offers a strong construction combined with a sleek and ergonomic appearance. System comes with a carry bag and is available in black or silver.



## Features and Benefits

- Easily customizable heights
- American made
- Optional 4th pole for added height
- Supplied with quality carry bag
- Available in silver or black
- Swivel-out foot for extra stability
- Laser cut steel ends and swaged pole

## Dimensions

### Base Hardware Dimensions

**Contender Mini:** 24.5" w x 3.25" h x 16" d (w/swivel foot extended)

825.5mm w x 95.25 mm d x 406.4mm d

**Contender Standard:** 30.5" w x 3.25" h x 16" d (w/swivel foot extended)

927.1mm w x 95.25 mm d x 406.4mm d

**Contender Mega:** 36.5" w x 3.25" h x 16" d (w/swivel foot extended)

1022.35mm w x 95.25mm d x 406.4mm d

**Contender Monster:** 48.5" w x 3.25" h x 16" d (w/swivel foot extended)

1022.35mm w x 95.25mm d x 406.4mm d

All Contenders 4" d (101.6mm d) w/o swivel foot extended

Size	Graphic Dimensions	Graphic Dimensions w/ 4th Pole
Contender Mini	23.5" w x 77.5" h	23.5" w x 105" h
	596.9mm w x 1968.5mm h	596.9mm w x 2667mm h
Contender Standard	29.5" w x 77.5" h	29.5" w x 105" h
	749.3mm w x 1968.5mm h	749.3mm w x 2667mm h
Contender Mega	35.5" w x 77.5" h	35.5" w x 105" h
	901.7mm w x 1968.5mm h	901.7mm w x 2667mm h
Contender Monster	47.5" w x 77.5" h	47.5" w x 105" h
	1206.5mm w x 1968.5mm h	1206.5mm w x 2667mm h

All graphics require a 1/2" bleed at the top and 6" bleed on bottom

## Additional Information

### Shipping Info:

Contender Mini: 30 x 6 x 6, 9 lbs

762mm x 152.4mm x 152.4mm, 4.08kg

Contender Standard: 34 x 6 x 6, 10 lbs

863.6mm x 152.4mm x 152.4mm, 4.54kg

Contender Mega: 40 x 6 x 6, 11 lbs

1016mm x 152.4mm x 152.4mm, 4.99kg

Contender Monster: 52 x 6 x 5, 13 lbs

1320.8mm x 152.4mm x 152.4mm, 5.9kg

### Can fit into the OCB Case

Included in Kit: Top rail, base, pole set and carry bag

Graphic Type: Flexible inkjet, fabric or vinyl, 12 mil max thickness

Lighting is available

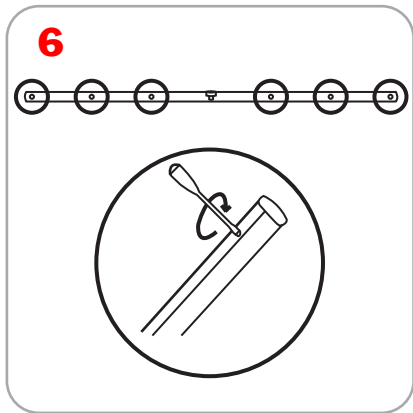
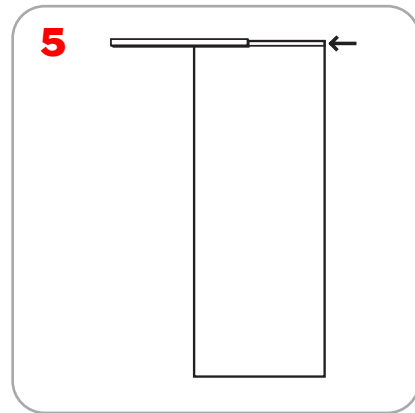
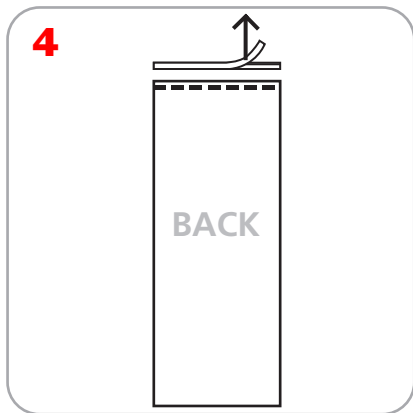
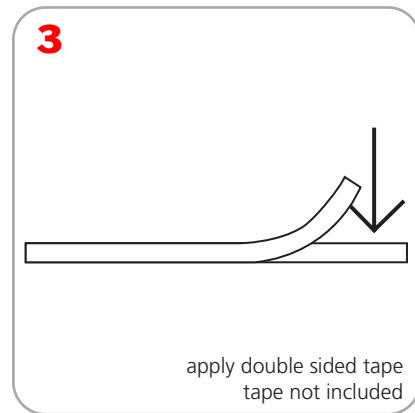
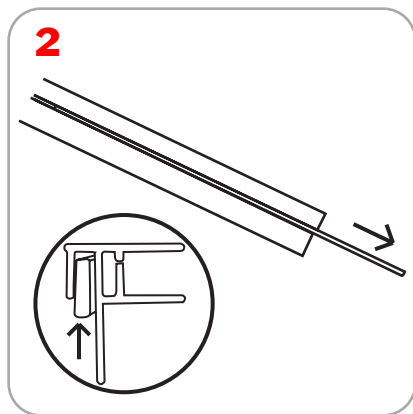
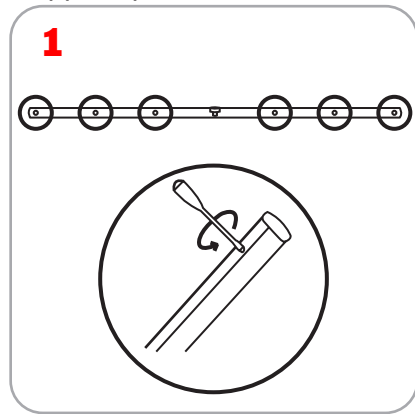
\*Hold the top rail whilst lowering the banner, do not drop, to prevent damage to the graphic

\*Opening the banner stand base may invalidate the product warranty

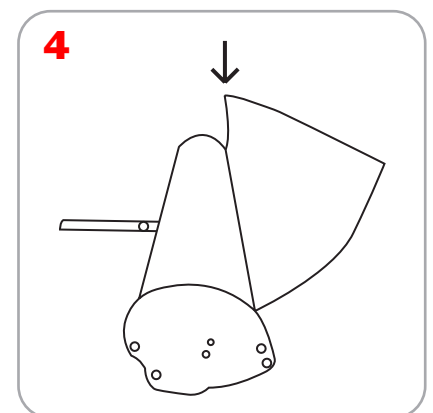
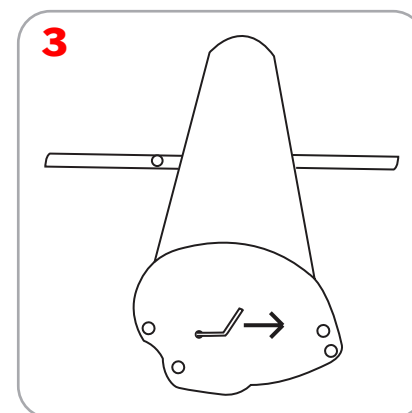
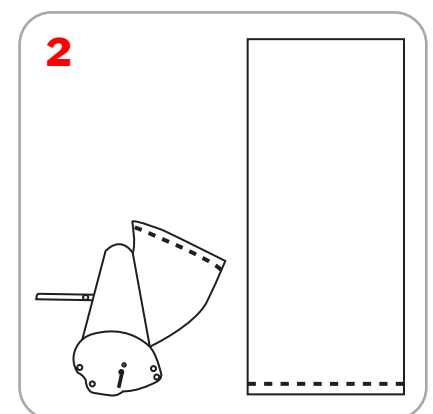
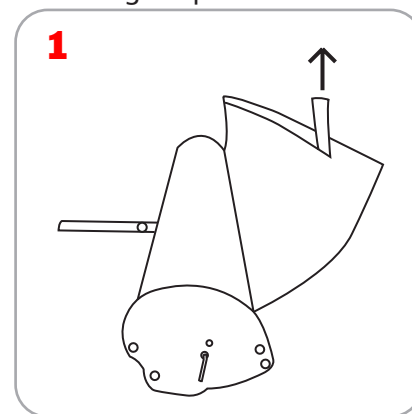
\*After fitting, the graphic should be left for 24 hours before use to ensure the adhesive bonds

We are continually improving and modifying our product range and reserve the right to vary the specifications without prior notice. All dimensions and weights quoted are approximate and we accept no responsibility for variance. E&OE. See Graphic Templates for graphic bleed specifications.

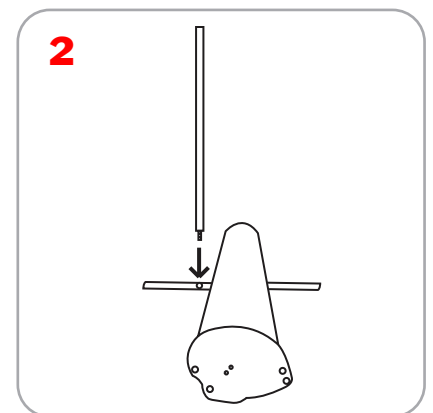
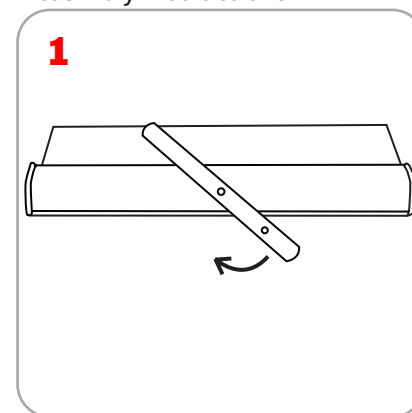
### Grippa Top Rail Attachment

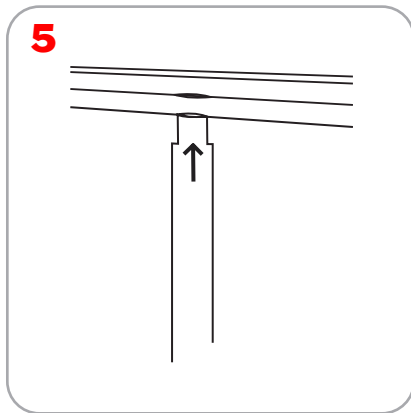
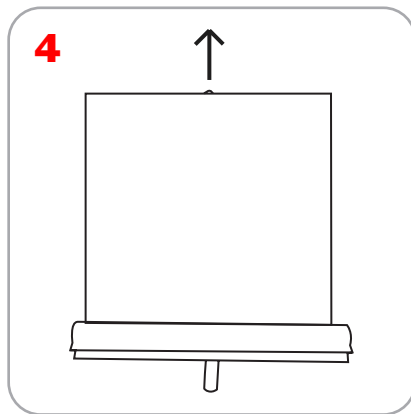
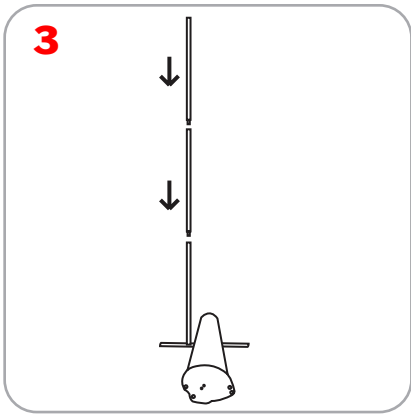


### Attaching Graphic to Leader strip

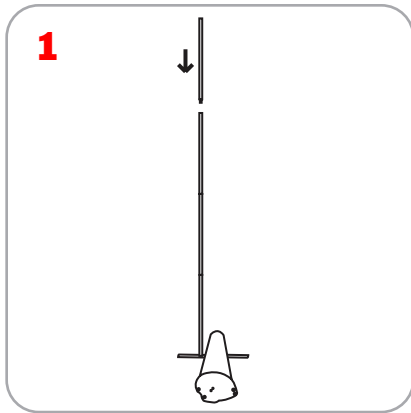


### Assembly Instructions





4th Pole Attachment



Anatomy of a Contender

