

Barracuda

Stylish design and proven reliability makes the Barracuda a popular quality banner stand. The Barracuda is one of the most feature-rich single sided retractable banner stands available and has been specially designed for maximum convenience and ease of use.



Features and Benefits

- Variable height = 29.5" - 83.35"
- Graphic tensioner
- Integrated pole storage for the twist & lock telescopic pole
- Supplied with quality carry bag

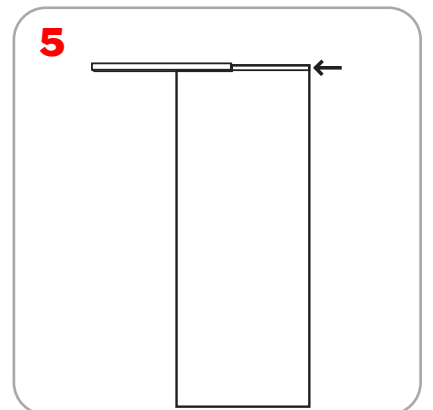
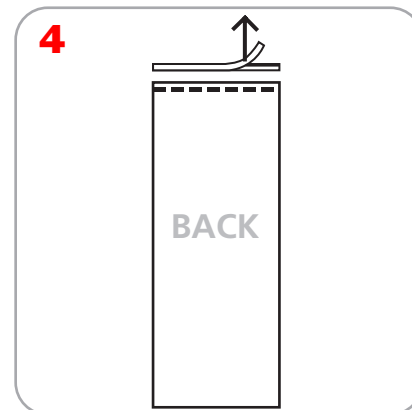
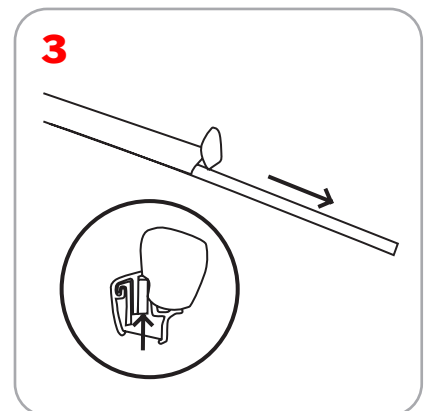
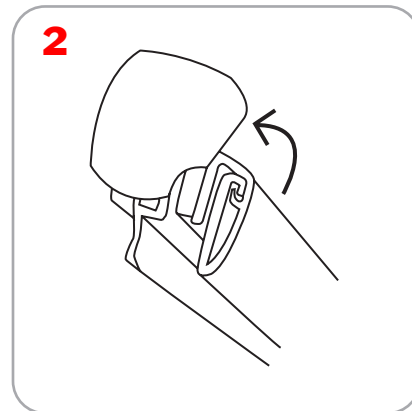
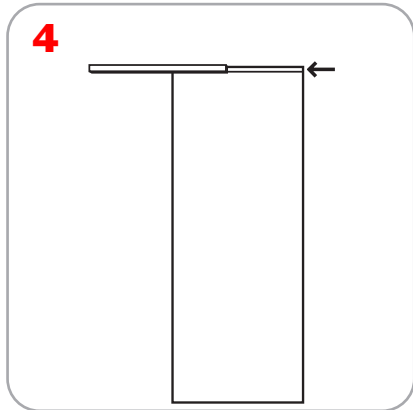
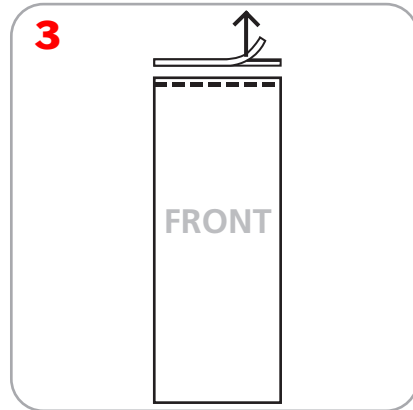
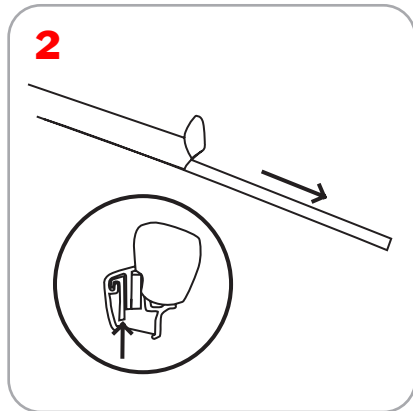
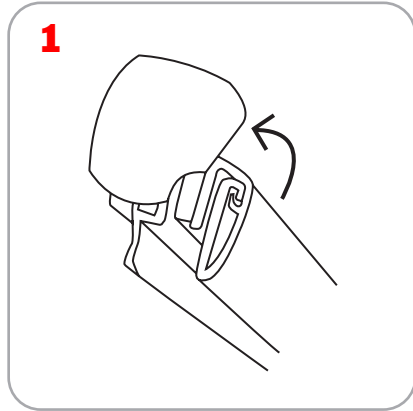
Dimensions

Hardware Dimensions	Graphic Dimensions
Hardware Dimensions: 87"(h) x 33.5"(w) x 7.5"(d) approx. 2209.8mm(h) x 850mm(w) x 190.5mm(d) approx.	31.5"w x 29.5"h up to 83.35"h (plus .5" bleed at the top and 6" bleed at the bottom) 800.1 mm w x 749.3 mm h up to 2117.1 mm h (plus 12.7 mm bleed at the top and 152.4 mm bleed at the bottom)
Base Dimensions: 3"(h) x 33.5"(w) x 7.5"(d) approx. 80mm(h) x 855mm(w) x 195mm(d) approx.	
Weight: 10 lbs (4.5 kg) approx (including carry bag)	

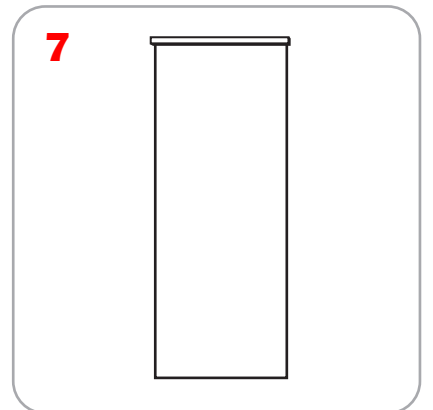
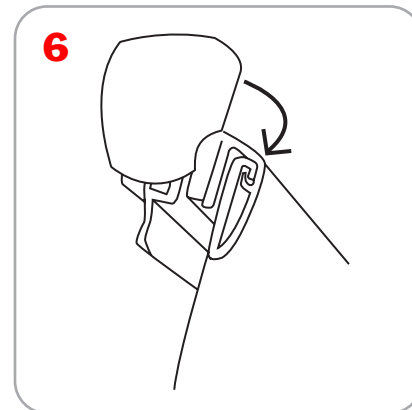
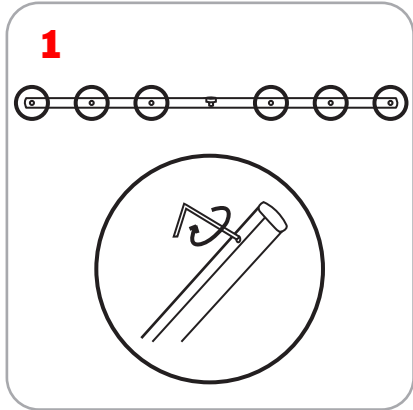
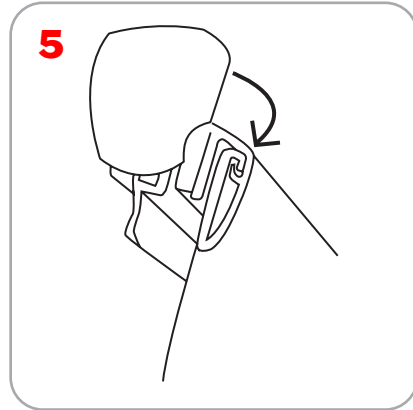
Additional Information

Shipping Dimensions: 36" x 10" x 5" 914.4mm x 254mm x 127mm	Grippa top rail attachment recommended for semi-permanent or long term use. Adhesive top rail attachment recommended for short term use.
Shipping Weight: 12 lbs / 5.44 kg	
Can add lighting with any of our lights. Lumina 2 is recommended. Must order universal connector for Lumina 7 & Lumina 200	WARNING: Always attach graphic to base and top rail before removing the locking pin. After fitting, the graphic should be left for 24 hours before use to ensure the adhesive bonds sufficiently. Opening the base will invalidate the product warranty.
Recommended Substrate: 13oz. smooth vinyl, 7oz. cotton, 14oz. anti-curl vinyl, 8oz. oxford, 11mil melenex	Graphic tension may be re-applied or added by turning the ratchet tensioner clockwise.
Bag Dimensions: 33" x 8" x 3"	Included in Kit: Base, top rail, telescopic pole and carry bag

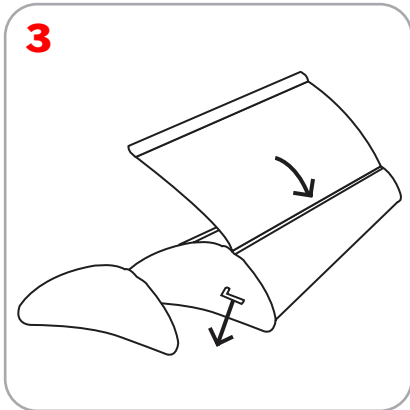
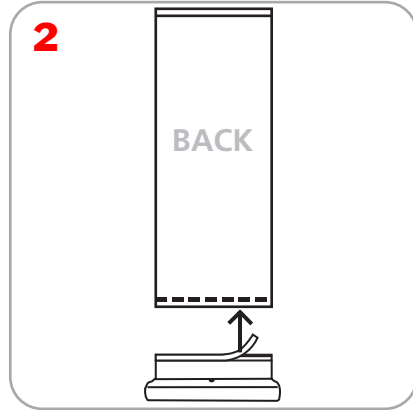
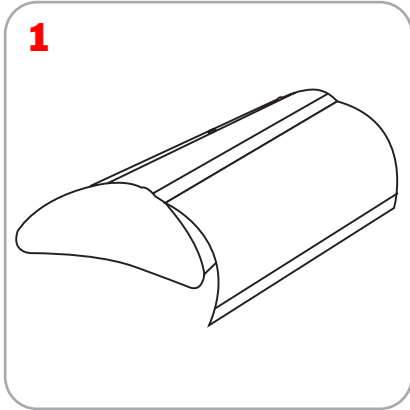
Adhesive Top Rail Attachment



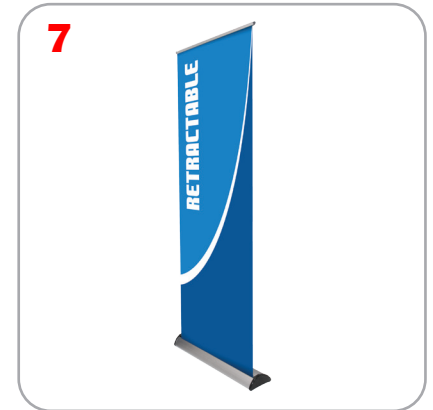
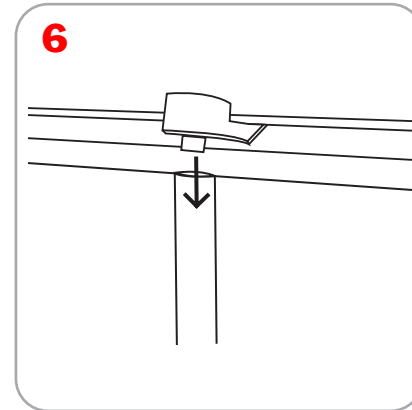
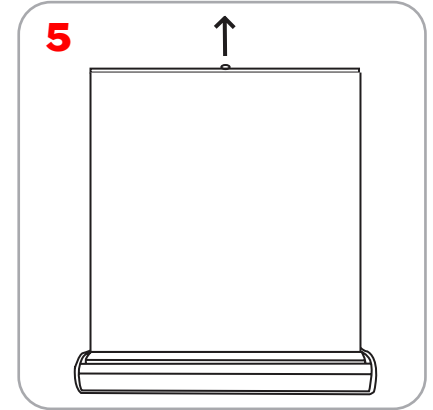
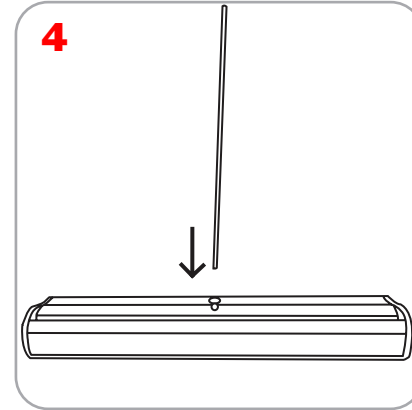
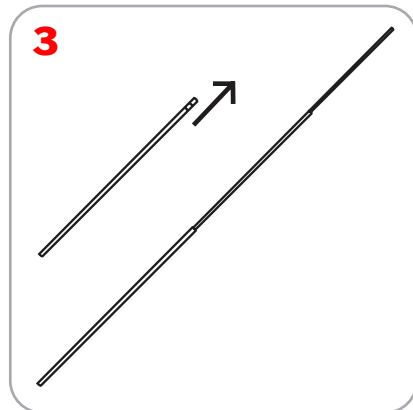
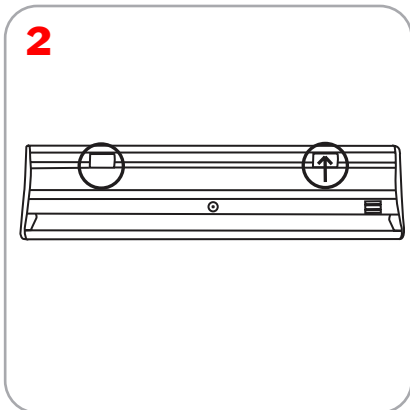
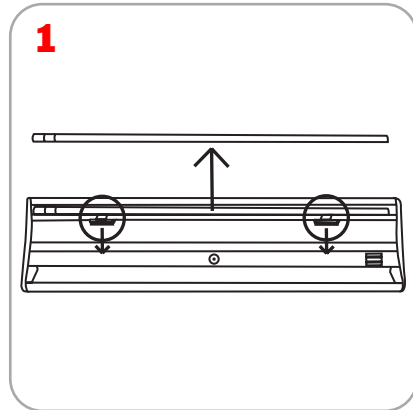
Grippa Top Rail Attachment



Bottom Graphic Attachment



Banner Stand Assembly



Retensioning

